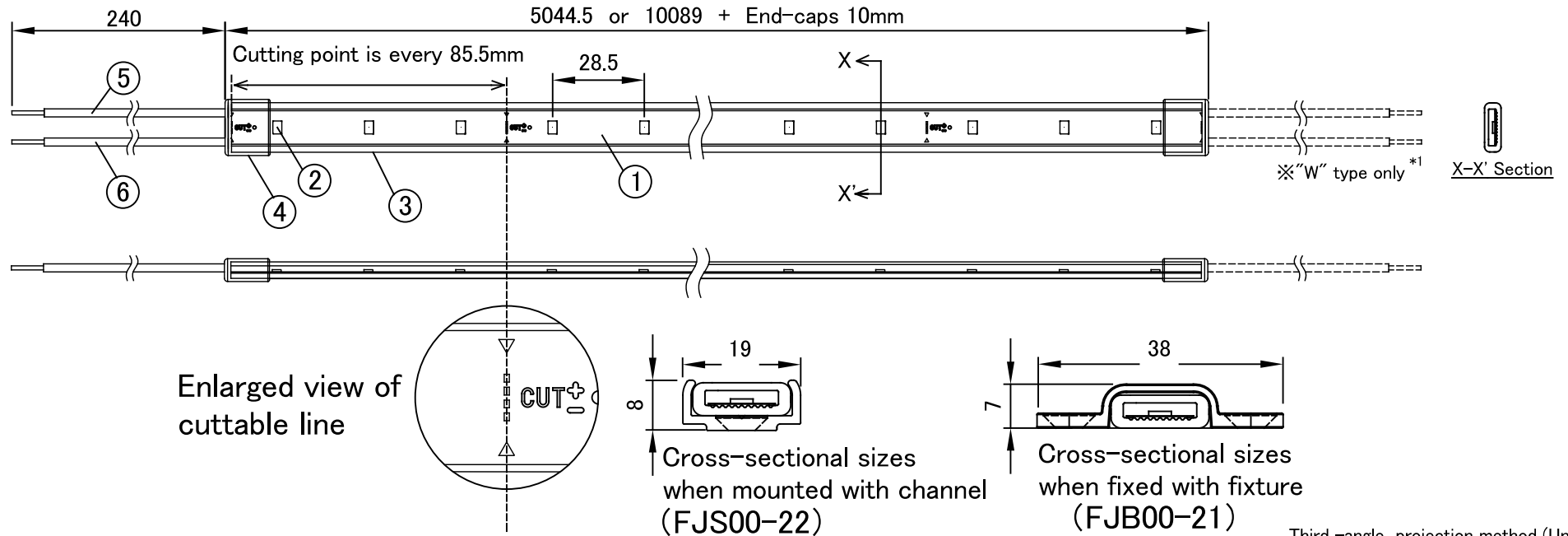


Product Name	Tape Light Indoor VE Type	TMV30	Scale	1 : 2 (A4)
--------------	----------------------------------	--------------	-------	-------------------



Third-angle projection method (Unit : mm)

Product Specifications		Product Parts List				3D					
Product No.	TMV30-10□□□ (1000lm type), TMV30-06□□□ (600lm type) *1 ("W" type: TMV30-10□□□KW, TMV30-06□□□KW) *1	No.	Name	Note							
Length	(5044.5mm or 10089mm) + End-caps 10mm*2	1	FPC	Flexible Printed Circuit board							
Cutting points	85.5mm (3 LED)	2	LED	SMD LED							
Weight	90g/m	3	Case	Silicone rubber							
Input Voltage	DC24V	4	Endcap	Silicone rubber							
Luminous Flux	1000lm/m, 600lm/m * It is a value in 2700K. Luminous Flux value is ±20% vary.	5	Lead wire Red(V+)	Silicone rubber							
Power Consumption	11W/m (1000lm type), 6W/m (600lm type)	6	Lead wire Black(V-)	Silicone rubber							
Color Temperature	2200K, 2700K, 3000K, 3500K, 4000K, 5000K	Material List for Accessory									
Beam Angle	110°	No.	Name	5044.5mm	10089mm					Note	
Operating Temperature	-10 ~ 40°C	1	Instruction Manual	1	1					user/operation manual	
Environment	Indoor Only	2	Lead wire Red	5	10	for power supply V+					
Bending Radius	R30mm vertical	3	Lead wire Black	5	10	for power supply V-					
Note	□□: 2 digit of the color temperature. *1 "(Standard)" type : Lead wires at one end. "W" type : Lead wires at both ends. *2 Max Unit Connectable is 10.1m (10089mm + End-caps).	4	Endcap	5	10	for product end processing					
		5	Adhesive Tape	5	10	for Endcap adhesive					
		Accessories				Design	Reviser	Drawing Check	Approval		
		1	Polycarbonate Rigid channel FJS00-22	※Length=1000mm for straight line installations.		Yamaguchi	Shiokawa	Yamaguchi	Yamaguchi		
		2	Polycarbonate Mounting Bracket FJB00-21(5pcs per pack)	※5pcs per meter for curve line installations.		2019.2.26	2022. 8.8	2022. 8.8	2022. 8.8		

Please note that content described above may be changed without any advance notice.

Atex Co., Ltd.

Ver 220808