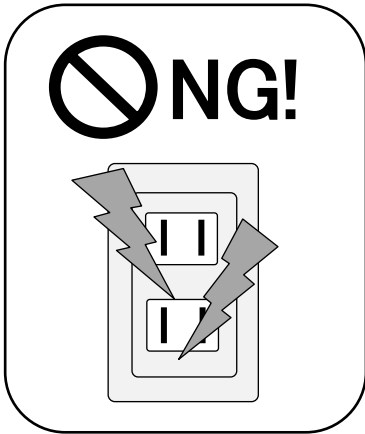


Caution when Installing the Product

Keep the followings to prevent damages, electric shock, fume and fire.

Do not connect to AC power.



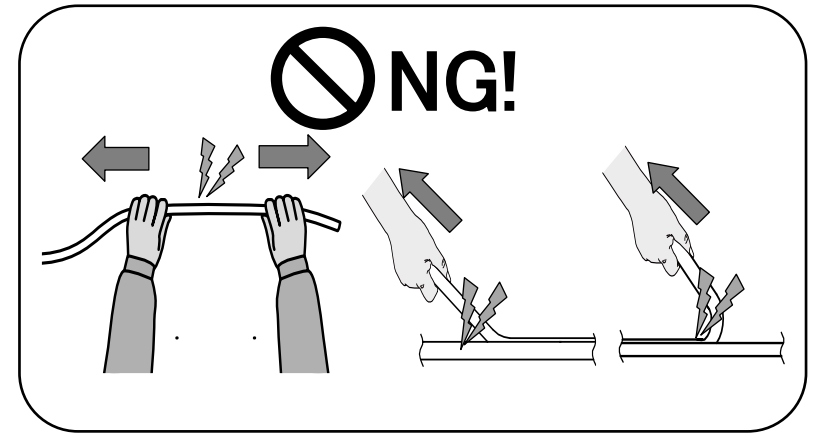
Do not use a tool with sharp point .



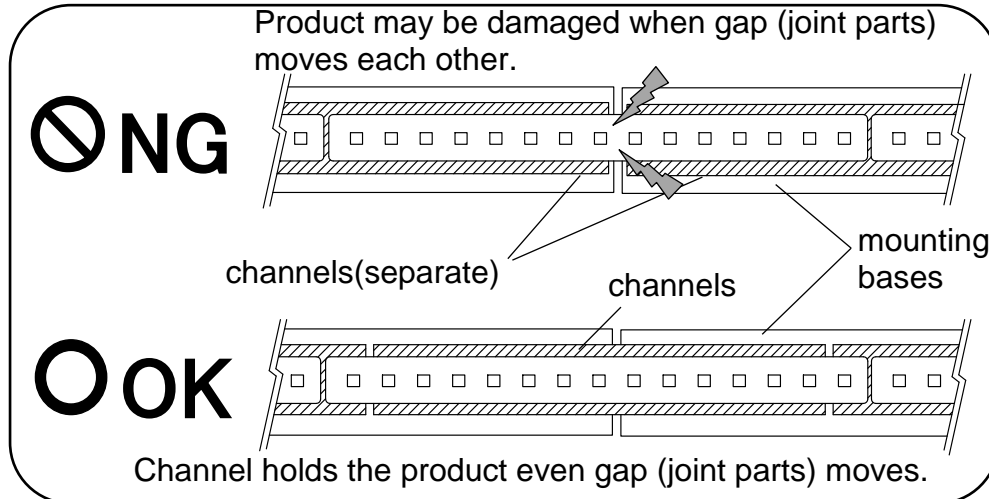
Do not tramp on or strike the product.



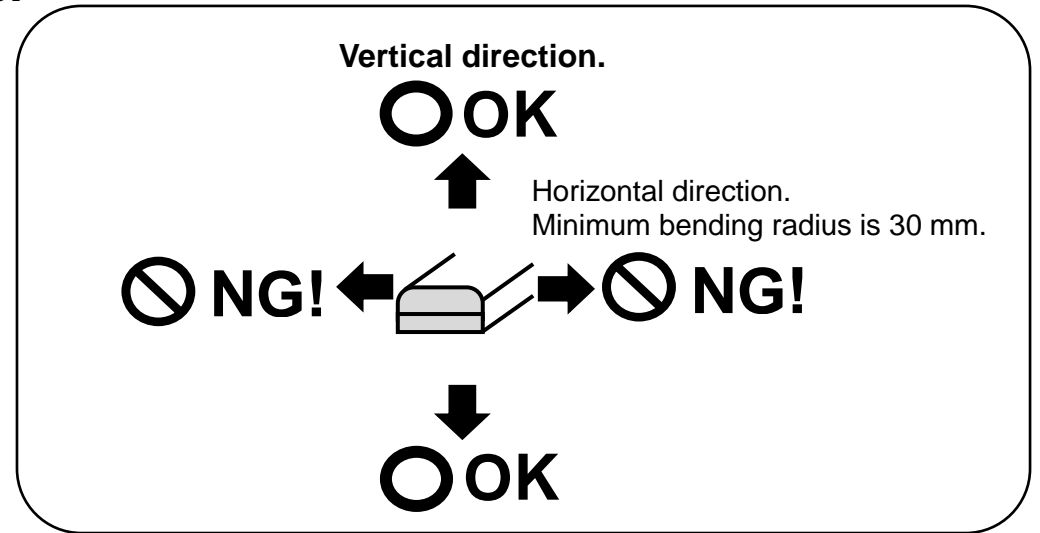
Do not pull out the product diagonally from the channel.



Do not separate the mounting channels at the gap (joint parts) between mounting bases.



Do not bend the product toward vertical direction.



Tape Light Indoor VE Type (TMV10) Instruction Manual

We will appreciate for your purchasing the product. Please carefully read this manual to install the product correctly and safely. The contents described on this manual are subject to change without prior notice.

atex

Atex Co.,Ltd.

For Keeping

ZTE2TMV10 Ver.20230622

WARNING

Read this section carefully to prevent electrical shock, fire and other hazard.

- Electrical works certificate is required to install and inspect this product.
- Input voltage is 24V DC only. Do not apply other voltage such as AC power.
- Do not disassemble or alter the product.
- Turn off the power before installing or handling the product.
- Do not put screws into the products directly. It will cause damages. Please refer to "Installation Method".
- Please do not perform the following actions on the product.
 - Excessive bending and twisting of the product.
 - Dropping and strongly striking the product.
- Do not install or handle the product with wet hands.
- This product is for indoor and dry location use only. Do not install the product in a wet or high humid location.
- Clean and inspect the product on a regular basis. Leaving the product for a long period of time may cause smoke, fire, or electric shock.
 - Voluntary inspection and cleaning (once a year).
 - Inspection and cleaning by specialists such as an electrician (once every three years).
- If there is any trouble with the product, please immediately turn off the power and contact the dealer or installer.

CAUTION

- Please be careful that eyes might be hurt when you look straight at light emitting part.
- Please be careful about static electricity. It will damage LED's.
- The product is vertical bending type. Please do not bend the product toward horizontal direction. It may cause the failure.
- Do not pull the lead wire strongly. It may cause the failure.
- The temperature rise of the product is influenced with the capacity and the distance from housing. Ambient temperatures must remain the product specification.
- The product cannot be used in the atmosphere of corrosive gas and flammable gas, like the following.
 - Area with synthetic rubbers, cardboards, and other materials containing Sulphur.
 - Area with hot springs containing Sulphur.
- Even if the bending is looser than the minimum bending radius (R30mm), repeated bending of the product may cause a malfunction. Do not bend the product more than 5 times, including attaching to the channel. Also, do not attach it to doors that open and close.

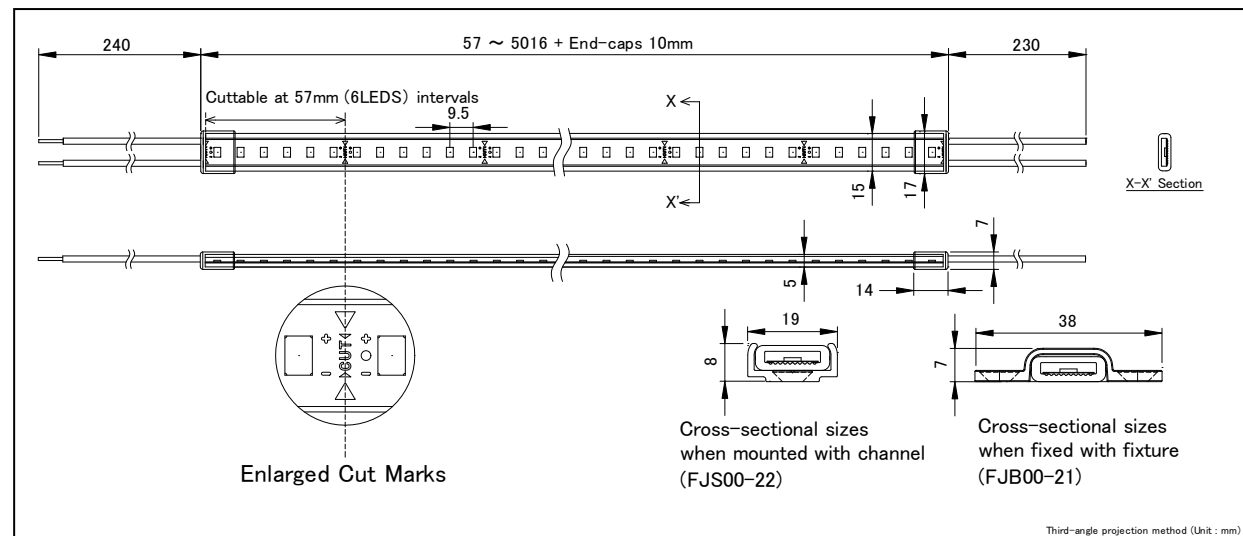
Specification

Product Specification

Product Name	Tape Light Indoor VE Type (10mm pitch)			
Product No.	TMV10-**K			
**: Color Temperature	22	25	27	30
	2200K	2500K	2700K	3000K
	35	40	50	65
	3500K	4000K	5000K	6500K
Input Voltage	DC24V ±5%			
Power Consumption	9W/m			
Operating Temperature	-10 ~ +40°C (indoor only)			
Dimension	Refer to dimension drawing.			
Weight	90g/m			
Minimum Bending Radius	R30 mm, vertical.			
Maximum Series Connection Length *2	5m (5016mm + End-caps)			
LED Pitch	9.5mm			

*1 Please note that there is some variation in color among LED's.
 *2 The connection length of the product is also limited by the power supply.

Dimension



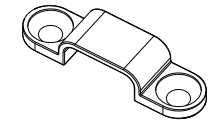
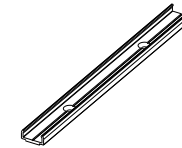
Options

Product Name	Product No.	Remarks
Poly carbonate Rigid Channel	FJS00-22	L=1m
Poly carbonate Mounting Bracket	FJB00-21	5pcs per pack

Poly carbonate Rigid Channel Poly carbonate Mounting Bracket

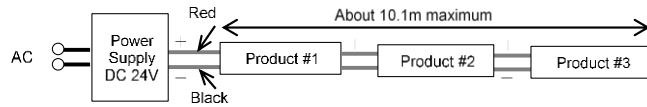
FJS00-22

FJB00-21

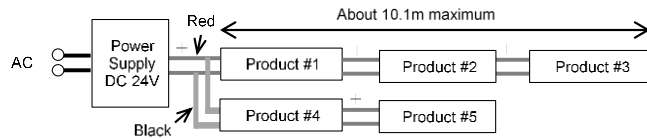


Wiring Method

- Total length of series connected products should be 10.1 m or less (Maximum Series Connection Length). If two or more products are used, connect them in parallel so that the series length does not exceed 10.1 m.
- Confirm the power consumption of the products, and use the power supply that can drive all the products.
- System Diagram
 - When total length of the products is 10.1m or less, series connection is available.



- When total length of the products is more than 10.1m, parallel connection is required.



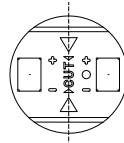
CAUTION

- The lead wires on the termination side should be insulated with insulation tape or the like. Failure to do so may result in heat generation, fire, electric shock, or short circuit.
- When multiple products and power supplies are connected in parallel, the brightness of the products. The type and length of wires in each system should be the same. It is recommended that the type and length of wires in each system be equal.

How to cut the product at site

CAUTION

- After cutting, completely remove chips from the cross section. It may cause a short circuit.
- After cutting, it is necessary to treat it with the End Cap, to prevent smoke and ignition due to electric short or leakage, and to keep waterproof performance.
- When you have to shorten a length of the product, it can be cut at every 57 mm. For the positions that can be cut, refer to the item of "Dimension".
- Purchase optional End Cap (SC710-02) separately.
- Once the product is cut off, it cannot be repaired. Before cutting the product, ensure the cut mark.



Enlarged Cut Marks

- Using without End Cap may cause electric fault, fuming or fire.
 - Diagonally cut may cause a failure of the product or prevent an attachment of End Cap.
 - Damages and failures which caused by your cutting are not covered under the warranty.
1. Determine the cut position.
 2. Cut on the mark "△" correctly.
 3. Make sure there are no chips or fragments on the cut section.
 4. After cutting, cover the cutting point with End Cap.

Installation Method

WARNING

- Fix the channel to the mounting surface and fit the luminaire into the channel securely. Insufficient installation may result in a risk of falling.

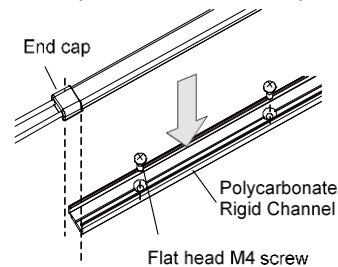
CAUTION

- The end caps at both ends of the luminaire should be outside the channel. Pushing the end caps into the channel may cause malfunction.
- Be sure to use the channels listed under "Construction Auxiliary Components (optional)".
- Do not drive screws directly into the product. Doing so may cause malfunction, electric shock, or fire.
- Do not apply double-sided tape or any adhesive to the back of the product.
- Do not bend the product tighter than the minimum bend radius (R30mm). Failure to do so may result in non-lighting.
- Do not pull the lead wire strongly. Failure to do so may result in non-lighting or reduced drip-proof performance.

■ Straight line installations

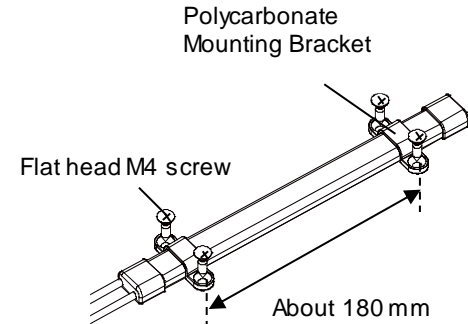
[Installation with the Polycarbonate Rigid Channel (option)]

1. Cut the rigid channels as needed, and fix them to the location with flat head M4 screws (commercial item).
2. Slide the lamp into the channel except end caps.



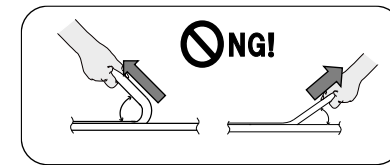
[Installation with the Polycarbonate Mounting Bracket (option)]

1. Install the product with the Polycarbonate Mounting Bracket (optional) and flat head M4 screws (commercial item).
The recommended distance between the brackets is about 180 mm.

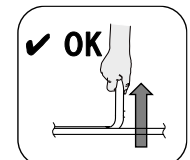


CAUTION

- We DO NOT recommend to remove the product from the channel after the installation. Repeated installation and removing may causes failure.
- If you have to remove the product from the channel, lift up the product carefully and slowly, and pull it out vertically within 45 degrees with your hands.



Diagonally



Vertically