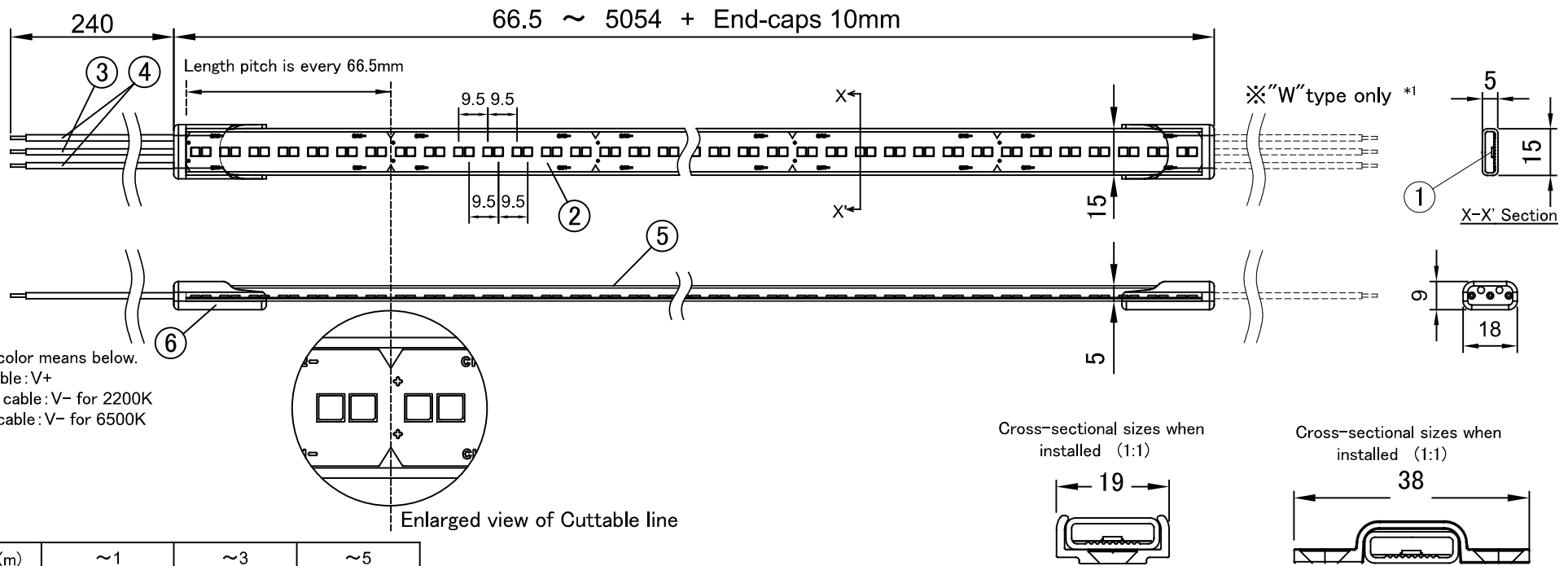


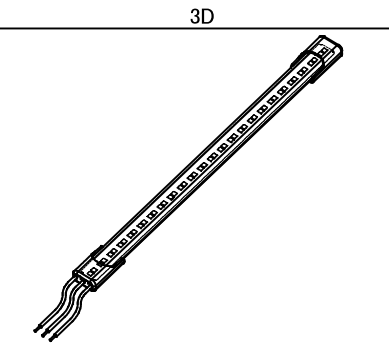
Product Name	<b>Tape Light Duo Indoor (Tunable White)</b>	Scale	1:2 (A4)
--------------	--	-------	----------



Length(m)	~1	~3	~5
Tolerance(mm)	+10 ~ -11	+10 ~ -16	+10 ~ -20

Third-angle projection method (Unit : mm)

Product Specifications			8			
Product No.	TM-TU (“W” type: TM-TUW) *1		7			
Length	66.5mm ~ 5054mm + End-caps 10mm		6	End cap	Silicone rubber	Translucent
Weight	80g/m		5	Case	Silicone rubber	Translucent
Input Voltage	DC24V		4	Lead wire (V-)	Silicone rubber coating	Yellow, White, AWG20 (0.5 sq)
Power Consumption	Max. 17W/m (2200K only: 8.5W/m, 6500K only: 8.5W/m)		3	Lead wire (V+)	Silicone rubber coating	Red, AWG20 (0.5 sq)
Color Temperature	2200K ~ 6500K		2	FPC	Polyimide	
Luminous Flux	Max. 2160lm/m (2200K only: 970lm/m, 6500K only: 1190lm/m)		1	LED	SMD LED	
Color Rendering Index (Ra)	82 ~ 90			Parts Name	Material	Note
Beam Angle	115°			Accessories (Option)		
Operating Temperature	-10 ~ 40°C			1	Polycarbonate Rigid Channel (Length=1000mm for straight line installations) : FJS00-22	
Environment	Indoor only			2	Polycarbonate Mounting Bracket (Use 5pcs per meter) : FJB00-21	
Bending Radius	R60 mm vertical			3	End cap : EC101-01	
Max unit Connectable	5m (5054mm + End-caps)			4		
Note	*1 “(Standard)” type : Lead wires at one end. “W” type : Lead wires at both ends.			5		



Drawn	Reviser	Approved
Nakashima		Yamaguchi
2024.11.8		2024.11.8

Please note that the contents described above may be changed without any advance notice.