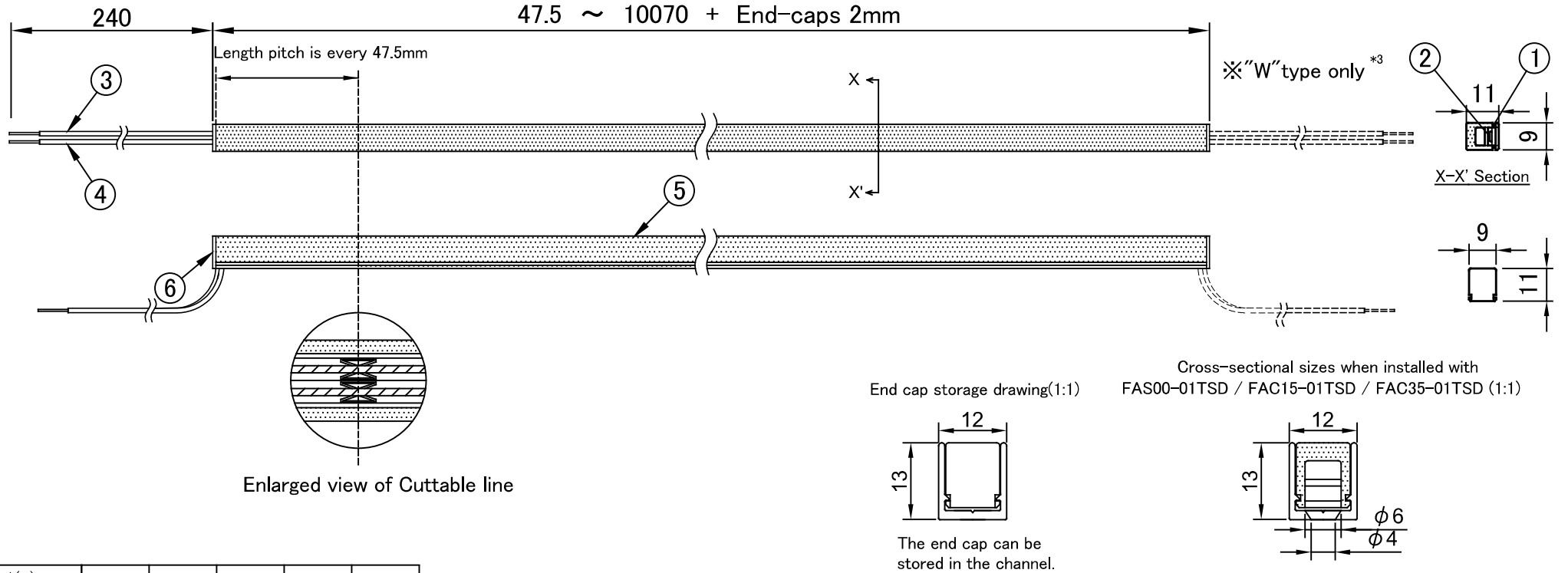


Product Name	Tape Light Slim Diffuse Indoor	Scale	1:2 (A4)
--------------	---------------------------------------	-------	-----------------



Length(m)	~ 1	~ 3	~ 5	~ 7	~ 10
Tolerance(mm)	+4 ~ -7	+4 ~ -17	+4 ~ -26	+4 ~ -36	+4 ~ -50

Product Specifications										8	7	6	5	4	3	2	1		
Product No.	2200K~5000K:TMSD-□□K *1 ("W" type:TMSD-□□KW)					Mono Color:TMSD-□ *2 ("W" type:TMSD-□W)													
Length	47.5mm ~ 10070mm + End-caps 2mm					47.5mm ~ 10070mm + End-caps 2mm													
Weight	130g/m					130g/m													
Input Voltage	DC24V					DC24V													
Power Consumption	8W/m					12W/m													
Color Temperature	2200K	2500K	2800K	3000K	3500K	4000K	5000K	RED	BLUE										
Luminous Flux	300lm/m	320lm/m	340lm/m	360lm/m	400lm/m	410lm/m	360lm/m	170lm/m	90lm/m										
Beam Angle	110°																		
Operating Temperature	-10 ~ 55°C																		
Environment	Indoor																		
Bending Radius	150mm vertical / 200mm horizontal ※Twistable Angle : Max.360° /m																		
Max Unit Connectable	10.1m (10070mm + End-caps)																		
Note	*1 "□□" means the first two digits of the color temperature of the product.																		
	*2 "□" means the "R" : RED, "B" : BLUE. ※"Y" : YELLOW is custom order.																		
	*3 "(Standard)" type : Lead wires at one end. "W" type : Lead wires at both ends.																		

Parts Name	Material	Note
End Cap	Polycarbonate	Translucent
Case	Silicone rubber	Milky White
Lead Wire (V-)	Silicone rubber coating	Black, 0.2sq
Lead Wire (V+)	Silicone rubber coating	Red, 0.2sq
FPC	Polyimide	Flexible Printed Circuits
LED	SMD LED	
Accessories (Option)		
1	Aluminum Rigid Channel (Length=1000mm for straight line installations) : FAS00-01TSD	
2	Aluminum Flexible Channel (Length=1000mm for straight line installations) : FAC15-01TSD	
3	Aluminum Mounting Bracket (Length=35mm for flexible line installations, 5 pcs per pack) : FAC35-01TSD	

3D		
Drawn	Reviser	Approved
Yamaguchi	Yamaguchi	Yamaguchi
2020.12.4	2024.3.29	2024.3.29

Please note that content described above may be changed without any advance notice