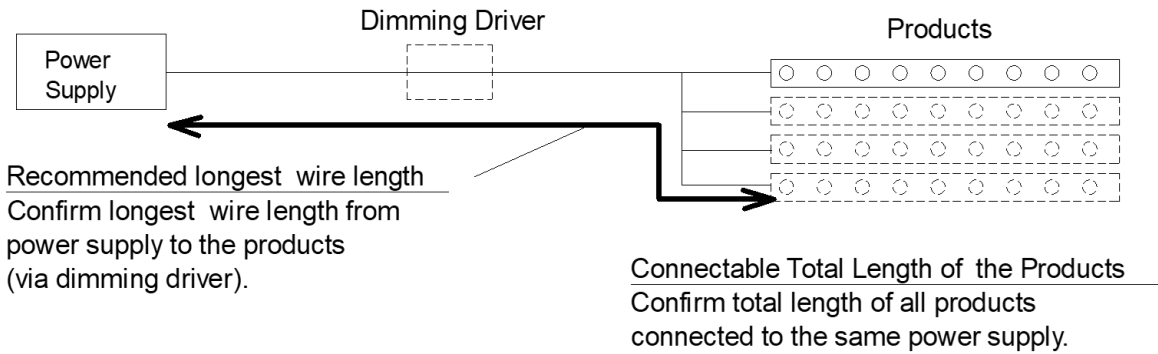


Length of the Products and Wires

Product	TMSD/TLSD(White)
----------------	-------------------------

Power consumption: 8W/m



Connectable Total Length of the Products. (When use HLG power supply)

- Please use the power supply at 70% output, for the long term reliability.
- If total length of the products exceed "Maximum series connectios length", connect them in parallel.

Power supply	Rated output	Recommended output	Connectable Length
HLG-60H-24	60.0 W	42.0 W	5.2 m
HLG-100H-24	96.0 W	67.0 W	8.3 m
HLG-150H-24	150.0 W	105.0 W	13.1 m
HLG-240H-24	240.0 W	168.0 W	21.0 m
HLG-320H-24	320.0 W	224.0 W	28.0 m
-	-	-	-
-	-	-	-

Recommended longest wire length from power supply to the products

- If the wiring exceeds the following length, brightness reduction may be conspicuous.
- When using multiple products, wiring to each products should be the same length.

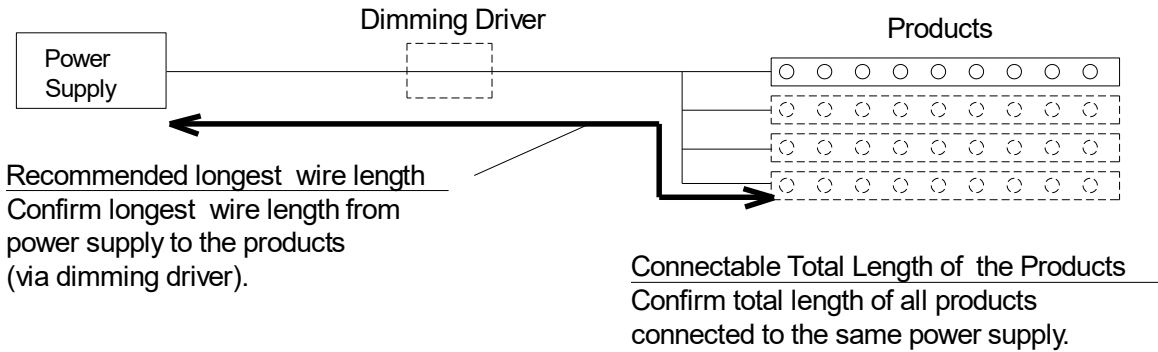
Cable Cores: 2C		VCTF/Twisted wire (mm ²)			VVF/Single Wire (φmm)		
Product Length	Power consumption	0.75sq/2C	1.25sq/2C	2sq/2C	1.6mm/2C	2mm/2C	2.6mm/2C
0.5 m	4.0 W	63 m	105 m	169 m	169 m	265 m	447 m
1.0 m	8.0 W	32 m	53 m	84 m	85 m	132 m	224 m
1.5 m	12.0 W	21 m	35 m	56 m	56 m	88 m	149 m
2.0 m	16.0 W	16 m	26 m	42 m	42 m	66 m	112 m
2.5 m	20.0 W	13 m	21 m	34 m	34 m	53 m	89 m
3.0 m	24.0 W	11 m	18 m	28 m	28 m	44 m	75 m
3.5 m	28.0 W	9 m	15 m	24 m	24 m	38 m	64 m
4.0 m	32.0 W	8 m	13 m	21 m	21 m	33 m	56 m
4.5 m	36.0 W	7 m	12 m	19 m	19 m	29 m	50 m
5.0 m	40.0 W	6 m	11 m	17 m	17 m	26 m	45 m
5.5 m	44.0 W	6 m	10 m	15 m	15 m	24 m	41 m
6.0 m	48.0 W	5 m	9 m	14 m	14 m	22 m	37 m
6.5 m	52.0 W	5 m	8 m	13 m	13 m	20 m	34 m
7.0 m	56.0 W	5 m	8 m	12 m	12 m	19 m	32 m
7.5 m	60.0 W	4 m	7 m	11 m	11 m	18 m	30 m
8.0 m	64.0 W	4 m	7 m	11 m	11 m	17 m	28 m
8.5 m	68.0 W	4 m	6 m	10 m	10 m	16 m	26 m
9.0 m	72.0 W	4 m	6 m	9 m	9 m	15 m	25 m
9.5 m	76.0 W	3 m	6 m	9 m	9 m	14 m	24 m
10.0 m	80.0 W	3 m	5 m	8 m	8 m	13 m	22 m

Above are approximate values.

Length of the Products and Wires

Product	TMSD/TLSD(Blue_Red)
----------------	----------------------------

Power consumption: 12W/m



Connectable Total Length of the Products. (When use HLG power supply)

- Please use the power supply at 70% output, for the long term reliability.
- If total length of the products exceed "Maximum series connectios length", connect them in parallel.

Power supply	Rated output	Recommended output	Connectable Length
HLG-60H-24	60.0 W	42.0 W	3.5 m
HLG-100H-24	96.0 W	67.0 W	5.5 m
HLG-150H-24	150.0 W	105.0 W	8.7 m
HLG-240H-24	240.0 W	168.0 W	14.0 m
HLG-320H-24	320.0 W	224.0 W	18.6 m
-	-	-	-
-	-	-	-

Recommended longest wire length from power supply to the products

- If the wiring exceeds the following length, brightness reduction may be conspicuous.
- When using multiple products, wiring to each products should be the same length.

Cable Cores: 2C		VCTF/Twisted wire (mm ²)			VVF/Single Wire (φmm)		
Product Length	Power consumption	0.75sq/2C	1.25sq/2C	2sq/2C	1.6mm/2C	2mm/2C	2.6mm/2C
0.5 m	6.0 W	42 m	70 m	112 m	113 m	176 m	298 m
1.0 m	12.0 W	21 m	35 m	56 m	56 m	88 m	149 m
1.5 m	18.0 W	14 m	23 m	37 m	38 m	59 m	99 m
2.0 m	24.0 W	11 m	18 m	28 m	28 m	44 m	75 m
2.5 m	30.0 W	8 m	14 m	22 m	23 m	35 m	60 m
3.0 m	36.0 W	7 m	12 m	19 m	19 m	29 m	50 m
3.5 m	42.0 W	6 m	10 m	16 m	16 m	25 m	43 m
4.0 m	48.0 W	5 m	9 m	14 m	14 m	22 m	37 m
4.5 m	54.0 W	5 m	8 m	12 m	13 m	20 m	33 m
5.0 m	60.0 W	4 m	7 m	11 m	11 m	18 m	30 m
5.5 m	66.0 W	4 m	6 m	10 m	10 m	16 m	27 m
6.0 m	72.0 W	4 m	6 m	9 m	9 m	15 m	25 m
6.5 m	78.0 W	3 m	5 m	9 m	9 m	14 m	23 m
7.0 m	84.0 W	3 m	5 m	8 m	8 m	13 m	21 m
7.5 m	90.0 W	3 m	5 m	7 m	8 m	12 m	20 m
8.0 m	96.0 W	3 m	4 m	7 m	7 m	11 m	19 m
8.5 m	102.0 W	2 m	4 m	7 m	7 m	10 m	18 m
9.0 m	108.0 W	2 m	4 m	6 m	6 m	10 m	17 m
9.5 m	114.0 W	2 m	4 m	6 m	6 m	9 m	16 m
10.0 m	120.0 W	2 m	4 m	6 m	6 m	9 m	15 m

Above are approximate values.