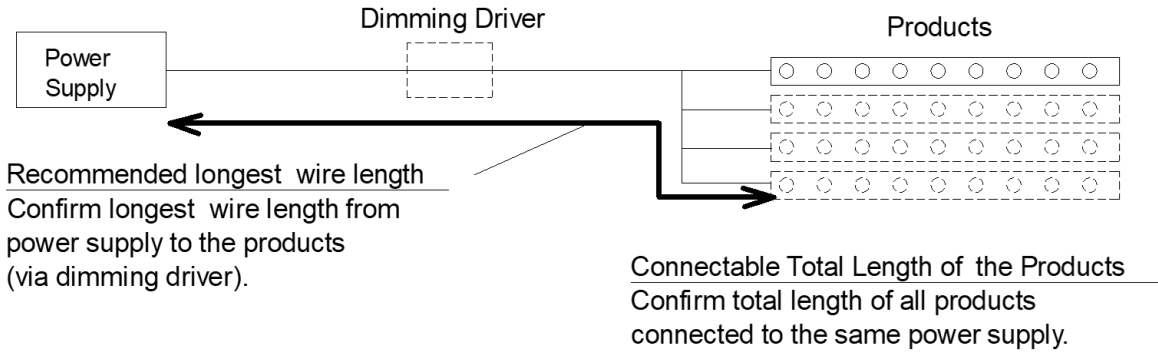


Length of the Products and Wires

Product	TM08_TL08
----------------	------------------

Power consumption: 28W/m



Connectable Total Length of the Products. (When use HLG power supply)

- Please use the power supply at 70% output, for the long term reliability.
- If total length of the products exceed "Maximum series connectios length", connect them in parallel.

Power supply	Rated output	Recommended output	Connectable Length
HLG-60H-24	60.0 W	42.0 W	1.5 m
HLG-100H-24	96.0 W	67.0 W	2.3 m
HLG-150H-24	150.0 W	105.0 W	3.7 m
HLG-240H-24	240.0 W	168.0 W	6.0 m
HLG-320H-24	320.0 W	224.0 W	8.0 m
-	-	-	-
-	-	-	-

Recommended longest wire length from power supply to the products

- If the wiring exceeds the following length, brightness reduction may be conspicuous.
- When using multiple products, wiring to each products should be the same length.

Cable Cores: 2C		VCTF/Twisted wire (mm ²)			VVF/Single Wire (φmm)		
Product Length	Power consumption	0.75sq/2C	1.25sq/2C	2sq/2C	1.6mm/2C	2mm/2C	2.6mm/2C
0.5 m	14.0 W	18 m	30 m	48 m	48 m	76 m	128 m
1.0 m	28.0 W	9 m	15 m	24 m	24 m	38 m	64 m
1.5 m	42.0 W	6 m	10 m	16 m	16 m	25 m	43 m
2.0 m	56.0 W	5 m	8 m	12 m	12 m	19 m	32 m
2.5 m	70.0 W	4 m	6 m	10 m	10 m	15 m	26 m
3.0 m	84.0 W	3 m	5 m	8 m	8 m	13 m	21 m
3.5 m	98.0 W	3 m	4 m	7 m	7 m	11 m	18 m
4.0 m	112.0 W	2 m	4 m	6 m	6 m	9 m	16 m
4.5 m	126.0 W	2 m	3 m	5 m	5 m	8 m	14 m
5.0 m	140.0 W	2 m	3 m	5 m	5 m	8 m	13 m
5.5 m	-	-	-	-	-	-	-
6.0 m	-	-	-	-	-	-	-
6.5 m	-	-	-	-	-	-	-
7.0 m	-	-	-	-	-	-	-
7.5 m	-	-	-	-	-	-	-
8.0 m	-	-	-	-	-	-	-
8.5 m	-	-	-	-	-	-	-
9.0 m	-	-	-	-	-	-	-
9.5 m	-	-	-	-	-	-	-
10.0 m	-	-	-	-	-	-	-

Above are approximate values.