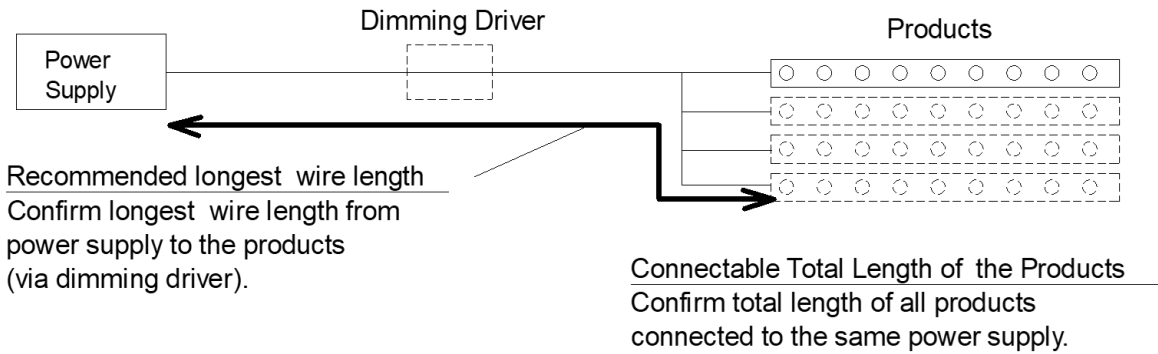


Length of the Products and Wires

Product	TLTU/TLDTU(3C cable)
----------------	-----------------------------

Power consumption: 17W/m



Connectable Total Length of the Products. (When use HLG power supply)

- Please use the power supply at 70% output, for the long term reliability.
- If total length of the products exceed "Maximum series connectios length", connect them in parallel.

Power supply	Rated output	Recommended output	Connectable Length
HLG-60H-24	60.0 W	42.0 W	2.4 m
HLG-100H-24	96.0 W	67.0 W	3.9 m
HLG-150H-24	150.0 W	105.0 W	6.1 m
HLG-240H-24	240.0 W	168.0 W	9.8 m
HLG-320H-24	320.0 W	224.0 W	13.1 m
-	-	-	-
-	-	-	-

Recommended longest wire length from power supply to the products

- If the wiring exceeds the following length, brightness reduction may be conspicuous.
- When using multiple products, wiring to each products should be the same length.

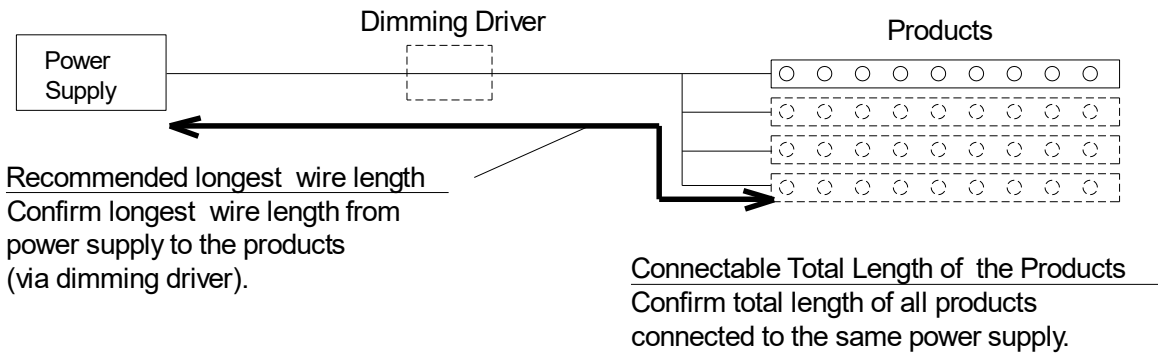
Cable Cores: 3C		VCTF/Twisted wire (mm ²)			VVF/Single Wire (φmm)		
Product Length	Power consumption	0.75sq/2C	1.25sq/2C	2sq/2C	1.6mm/2C	2mm/2C	2.6mm/2C
0.5 m	8.5 W	40 m	66 m	106 m	106 m	166 m	281 m
1.0 m	17.0 W	20 m	33 m	53 m	53 m	83 m	140 m
1.5 m	25.5 W	13 m	22 m	35 m	35 m	55 m	94 m
2.0 m	34.0 W	10 m	17 m	26 m	27 m	42 m	70 m
2.5 m	42.5 W	8 m	13 m	21 m	21 m	33 m	56 m
3.0 m	51.0 W	7 m	11 m	18 m	18 m	28 m	47 m
3.5 m	59.5 W	6 m	9 m	15 m	15 m	24 m	40 m
4.0 m	68.0 W	5 m	8 m	13 m	13 m	21 m	35 m
4.5 m	76.5 W	4 m	7 m	12 m	12 m	18 m	31 m
5.0 m	85.0 W	4 m	7 m	11 m	11 m	17 m	28 m
5.5 m	-	-	-	-	-	-	-
6.0 m	-	-	-	-	-	-	-
6.5 m	-	-	-	-	-	-	-
7.0 m	-	-	-	-	-	-	-
7.5 m	-	-	-	-	-	-	-
8.0 m	-	-	-	-	-	-	-
8.5 m	-	-	-	-	-	-	-
9.0 m	-	-	-	-	-	-	-
9.5 m	-	-	-	-	-	-	-
10.0 m	-	-	-	-	-	-	-

Above are approximate values.

Length of the Products and Wires

Product	TLTU/TLDTU(4C Cable)
----------------	-----------------------------

Power consumption: 17W/m



Connectable Total Length of the Products. (When use HLG power supply)

- Please use the power supply at 70% output, for the long term reliability.
- If total length of the products exceed "Maximum series connectios length", connect them in parallel.

Power supply	Rated output	Recommended output	Connectable Length
HLG-60H-24	60.0 W	42.0 W	2.4 m
HLG-100H-24	96.0 W	67.0 W	3.9 m
HLG-150H-24	150.0 W	105.0 W	6.1 m
HLG-240H-24	240.0 W	168.0 W	9.8 m
HLG-320H-24	320.0 W	224.0 W	13.1 m
-	-	-	-
-	-	-	-

Recommended longest wire length from power supply to the products

- If the wiring exceeds the following length, brightness reduction may be conspicuous.
- When using multiple products, wiring to each products should be the same length.

Cable Cores: 4C		VCTF/Twisted wire (mm ²)			VVF/Single Wire (φmm)		
Product Length	Power consumption	0.75sq/2C	1.25sq/2C	2sq/2C	1.6mm/2C	2mm/2C	2.6mm/2C
0.5 m	8.5 W	45 m	74 m	119 m	120 m	187 m	-
1.0 m	17.0 W	22 m	37 m	59 m	60 m	93 m	-
1.5 m	25.5 W	15 m	25 m	40 m	40 m	62 m	-
2.0 m	34.0 W	11 m	19 m	30 m	30 m	47 m	-
2.5 m	42.5 W	9 m	15 m	24 m	24 m	37 m	-
3.0 m	51.0 W	7 m	12 m	20 m	20 m	31 m	-
3.5 m	59.5 W	6 m	11 m	17 m	17 m	27 m	-
4.0 m	68.0 W	6 m	9 m	15 m	15 m	23 m	-
4.5 m	76.5 W	5 m	8 m	13 m	13 m	21 m	-
5.0 m	85.0 W	4 m	7 m	12 m	12 m	19 m	-
5.5 m	-	-	-	-	-	-	-
6.0 m	-	-	-	-	-	-	-
6.5 m	-	-	-	-	-	-	-
7.0 m	-	-	-	-	-	-	-
7.5 m	-	-	-	-	-	-	-
8.0 m	-	-	-	-	-	-	-
8.5 m	-	-	-	-	-	-	-
9.0 m	-	-	-	-	-	-	-
9.5 m	-	-	-	-	-	-	-
10.0 m	-	-	-	-	-	-	-

Above are approximate values.