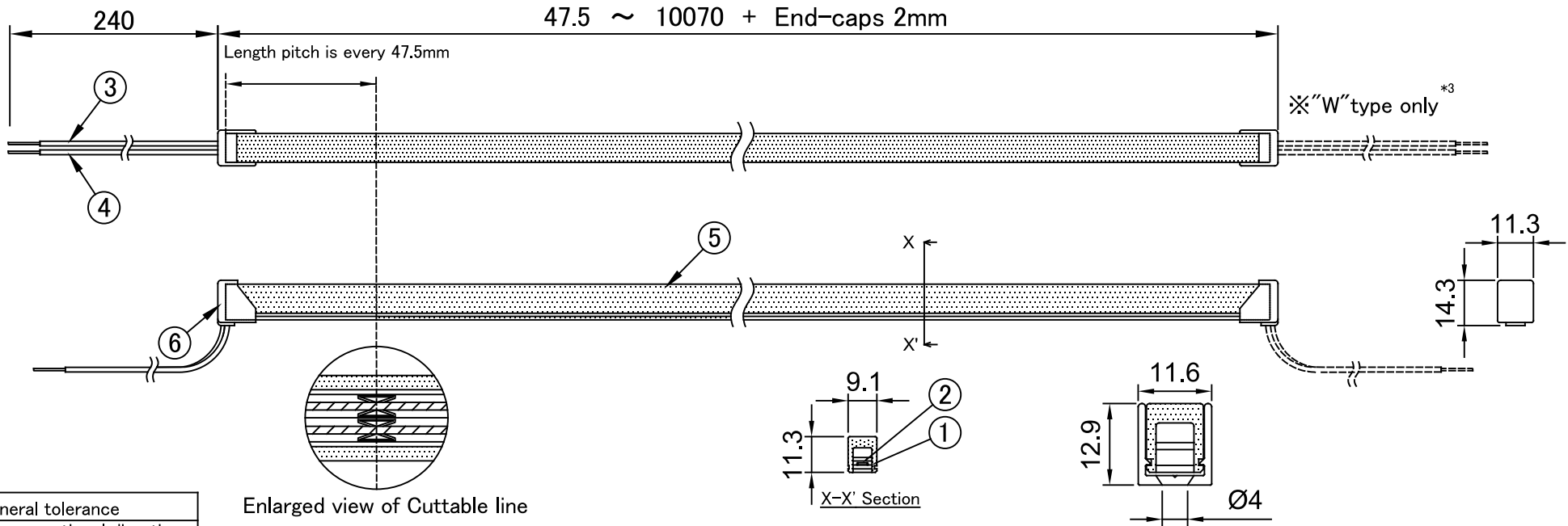


Product Name	<b>Tape Light Slim Diffuse</b>	Scale	1:2 (A4)
--------------	--------------------------------	-------	----------



General tolerance
Cross-sectional direction
6 or below: ±1.0
6 to 15 or below: ±1.2
15 to 30 or below: ±1.6
30 to 50 or below: ±2.0

Enlarged view of Cuttable line

Tolerance values are based on 25 °C.

Length(m)	~1	~3	~5	~7	~10
Tolerance(mm)	+4 ~ -7	+4 ~ -17	+4 ~ -26	+4 ~ -36	+4 ~ -50

Cross-sectional sizes when installed with FAS00-01TSD / FAC15-01TSD / FAC35-01TSD (1:1)

(Unit: mm)

Product Specifications										8	3D					
Product No.	2200K~5000K: TLSD-□□K*1 ("W" type: TLSD-□□KW)					Mono Color: TLSD-□*2 ("W" type: TLSD-□W)					7					
Length	47.5mm ~ 10070mm + End-caps 2mm					47.5mm ~ 10070mm + End-caps 2mm					6	End Cap	Silicone rubber	Translucent		
Weight	130g/m					130g/m					5	Case	Silicone rubber	Milky White		
Input Voltage	DC24V					DC24V					4	Lead Wire (V-)	Silicone rubber coating	Black, 0.2sq		
Power Consumption	8W/m					12W/m					3	Lead Wire (V+)	Silicone rubber coating	Red, 0.2sq		
Color Temperature	2200K	2500K	2800K	3000K	3500K	4000K	5000K	RED	BLUE	2	FPC	Polyimide	Flexible Printed Circuits			
Luminous Flux	300lm/m	320lm/m	340lm/m	360lm/m	400lm/m	410lm/m	360lm/m	170lm/m	90lm/m	1	LED	SMD LED				
Beam Angle	110°										Parts Name		Material	Note		
Ambient temperature and humidity	-30°C ~ 60°C, 45 ~ 85% RH										Accessories (Option)					
Environment	Indoor / Outdoor (IP67 rated)										1	Aluminum Rigid Channel (Length=1000mm for straight line installations) : FAS00-01TSD				
Bending Radius	150mm vertical / 200mm horizontal ※Twistable Angle : Max.360° /m										2	Aluminum Flexible Channel (Length=1000mm for straight line installations) : FAC15-01TSD	Drawn	Reviser	Approved	
Max Unit Connectable	10.1m (10070mm + End-caps)										3	Aluminum Mounting Bracket (Length=35mm for flexible line installations, 5 pcs per pack) : FAC35-01TSD	Yamaguchi	Tomitaka	Tanimizu	
Note	*1 "□□" means the first two digits of the color temperature of the product.										4		2020.12.4	2025.8.27	2025.8.27	
	*2 "□" means the "R" : RED, "B" : BLUE. ※"Y" : YELLOW is custom order.										5					
	*3 "(Standard)" type : Lead wires at one end. "W" type : Lead wires at both ends.															

