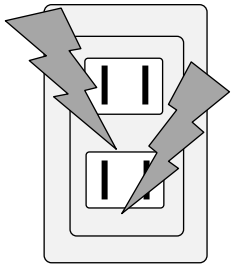


# Caution when Installing the Product

Keep the followings to prevent damages, electric shock, fume and fire.

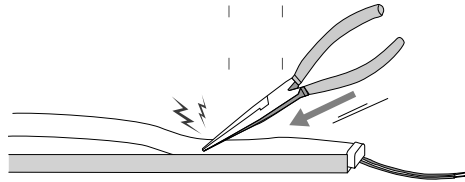
Do not connect to AC power.

**NG!**



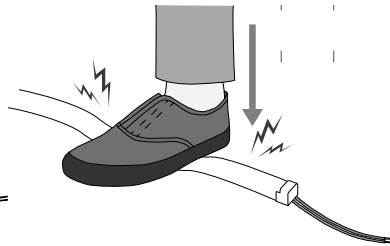
Do not use a tool with sharp point.

**NG!**



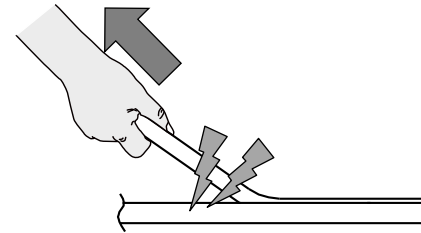
Do not tramp on or strike the product.

**NG!**

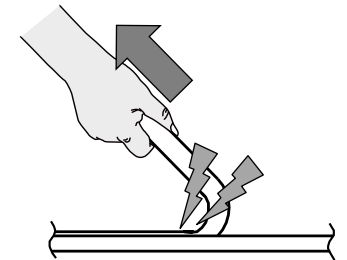


Do not pull out the product diagonally from the channel.

**NG!**

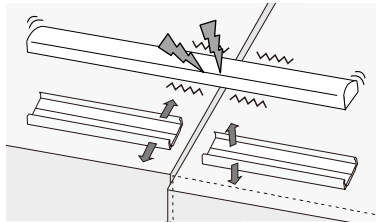


**NG!**



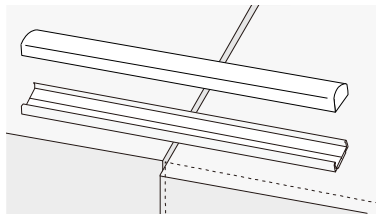
Do not separate the channel at the gap of mounting base.

**NG!**



Vibration or misalignment of the base may cause a break of the product !

**OK**

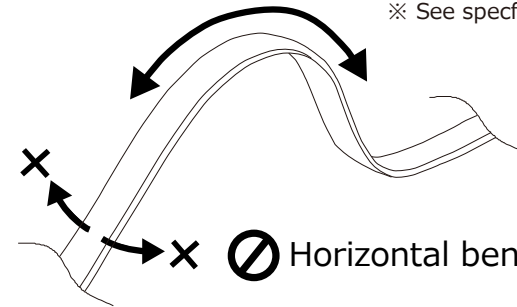


The channel can suppress vibration and misalignment of the base, and prevents the break of the product.

Do not bend the product tighter than minimum bending radius.

**OK** Vertical bending is OK

※ See specification for bending radius.



**NG!** Horizontal bending is NG!

# Tape Light Slim Diffuse/ Tape Light Slim Diffuse Indoor Instruction Manual

We appreciate for your purchasing the product. Please carefully read this manual to install the product correctly and safely.

## Warning

- Qualifications are required to do electrical works. Check the laws of your country.
- Input voltage is 24V DC only. Do not apply other voltage such as AC power.
- Do not disassemble or alter the product.
- Turn off the power before installing or handling the product.
- Do not put screws into the products directly. It will cause damages. Please refer to "Installation Method".
- Please do not perform the following actions on the product.
  - Excessive bending and twisting of the product.
  - Dropping and strongly striking the product.
- Do not install or handle the product with wet hands.
- The temperature rise of the product is influenced with the capacity and the distance from housing. Ambient temperatures must remain the product specification.
- This product is for indoor and outdoor use, and IP67 rated. This product should not be installed in a location where water is continuously splashed, underwater or reside in standing water.
- The product cannot be used in the atmosphere of corrosive gas and flammable gas, like the following.
  - Area with synthetic rubbers, cardboard, and other materials containing Sulphur.
  - Area with hot springs containing Sulphur.
- If there is any trouble with the product, please immediately turn off the power and contact the dealer or installer.
- The product cannot be cut at site.

## Precautions

- Please be careful that eyes might be hurt when you look straight at light emitting part.
- Please be careful about static electricity. It will damage LED's.
- The product is vertical bending type. Please do not bend the product toward horizontal direction. It may cause the failure.
- Please note that there is some variation in color among LED's.
  - The balance of emitted light color may change over time.

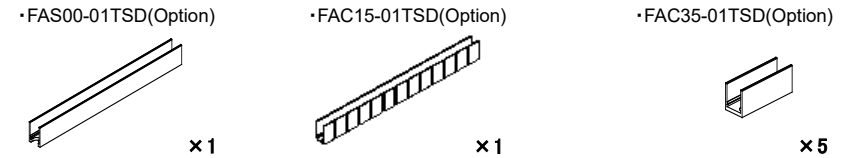
## Specification

Product name	Tape Light Slim Diffuse					Tape Light Slim Diffuse Indoor				
Product Number	TLSD-**K (Mono Color: TLSD-*)					TMSD-**K (Mono Color: TMSD-*)				
**(*) : Color Temperature	22	25	28	30	35	22	25	28	30	35
	2200K	2500K	2800K	3000K	3500K	2200K	2500K	2800K	3000K	3500K
	40	50	R	B		40	50	R	B	
	4000K	5000K	RED	BLUE		4000K	5000K	RED	BLUE	
Input Voltage	DC24V									
Power Consumption	2200K~5000K: 8W/m 、 RED, BLUE: 12W/m									
Ambient temperature and humidity	-30°C - 60°C , 45 - 85% RH					-10°C - 55°C , 45 - 85% RH				
Environment	Indoor / Outdoor. IP67 rated.					Indoor				
Dimensions	Refer to dimensional drawing.									
Weight	130g/m									
Bending Radius	150mm vertical / 200mm horizontal ※Maximum Twist : 360°/m									
LED Pitch	6.79mm									

## Options

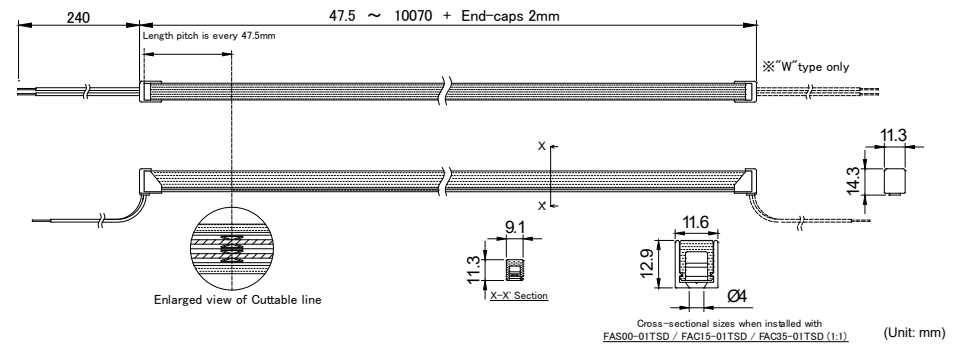
Product Name	Product Number	Remarks
Aluminum Rigid Channel	FAS00-01TSD	1 pcs. L = 1000 mm.
Aluminum Flexible Channel	FAC15-01TSD	1 pcs. L = 1000 mm.
Aluminum Mounting Bracket	FAC35-01TSD	5 pcs per pack. L = 35 mm

## Outlook

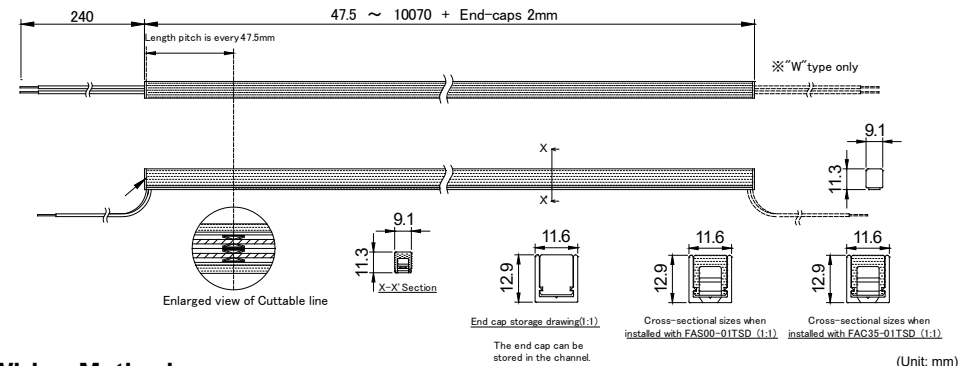


## Dimension

### • Tape Light Slim Diffuse

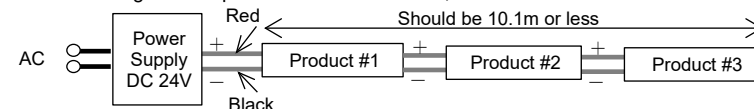


### • Tape Light Slim Diffuse Indoor

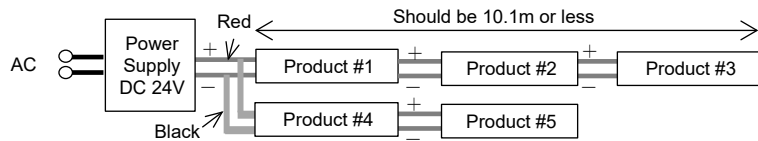


## Wiring Method

- Total length of series connected products should be 10.1 m or less. If two or more products are used, connect them in parallel so that the series length does not exceed 10.1 m.
- Confirm the power consumption of the products, and use the power supply that can drive all the products.
- System Diagram
  - When total length of the products is 10.1m or less, series connection is available.



•When total length of the products is more than 10.1m, parallel connection is required.



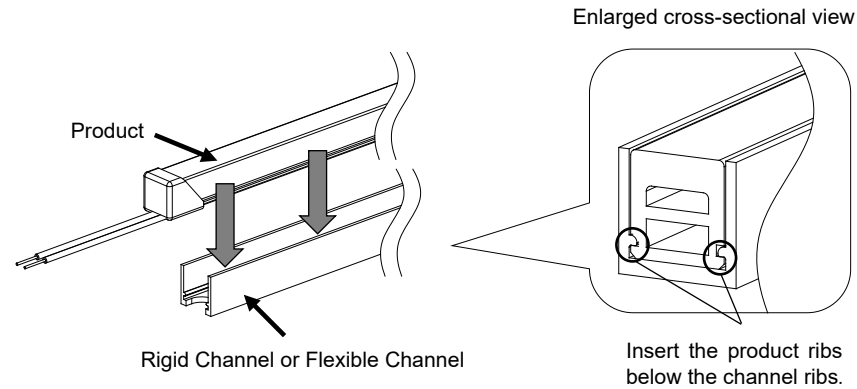
※The longest indoor type is 10.1m

## Installation Method

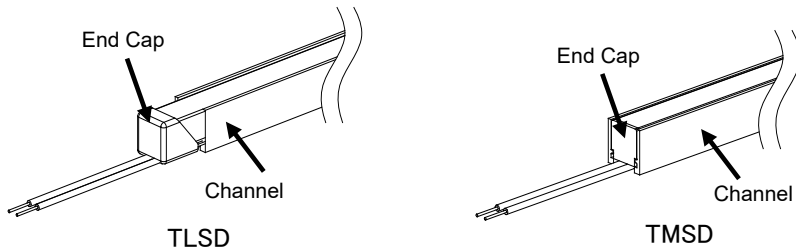
### ■ Straight line installations

Use Aluminum Rigid Channel, FAS00-01TSD or Flexible Channel, FAC15-01TSD.

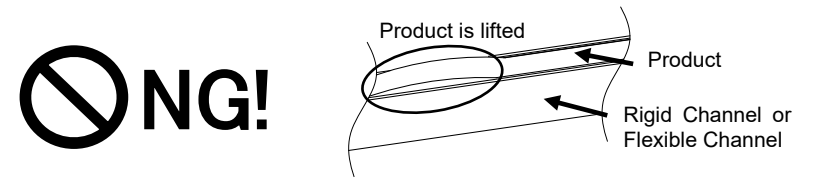
1. Please cut the channel as needed.
2. Remove the burr after cutting the channel, because the burr may cause damages, electric shock and smoke.
3. Securely mount the channel on the wall using screws and screw holes.
  - Please use the appropriate screws according to the wall.
4. Put and push the product into the channel securely.
  - Insert the product ribs securely below the channel Ribs.



- For TLSD : Put the end cap parts outside of the channel as below figure.
- For TMSD : End cap parts can be inserted into the channel as below figure.



5. Make sure the product is pushed in the channel firmly. Otherwise, the product might be removed.



### CAUTION

- Do not use a round-head screw for mounting the channel or bracket on the wall, or product will not be inserted into the channel or bracket properly.
- For TLSD, do not force to insert the end caps into the channel, or it will cause a damage.

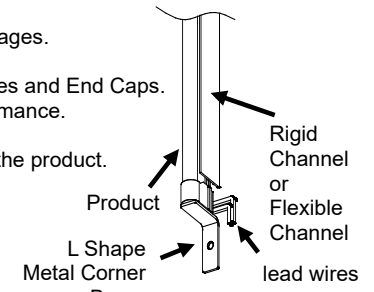
### ■ Curvy line installations

Use Aluminum Mounting Bracket, FAC35-01TSD.

1. Securely mount the bracket on the wall using screws and the screw holes.
  - Please use the appropriate screws according to the wall.

### CAUTION

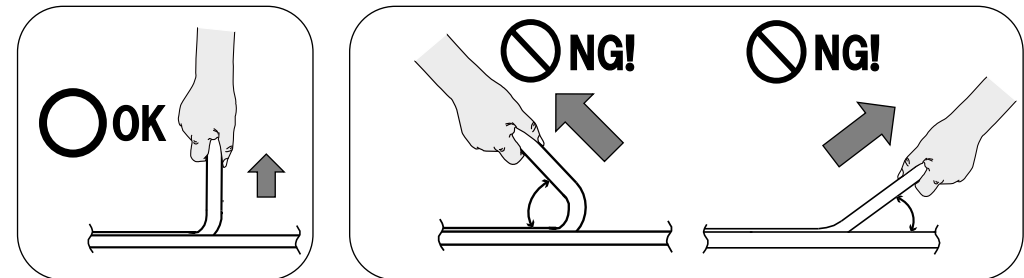
- Use Atex Accessories to install the product.
- Do not use a round-head screw, or product will not be inserted into the channel or bracket properly.
- Do not bend the product less than product's bending radius (R150mm), or product will come off from the bracket.
- Do not put the screws on the product directly. It may cause damages.
- Do not use double sided tape and glue to install the products.
- Do not perform the excessive bending or twisting of the lead wires and End Caps. It may cause the failure and the decline in water resistant performance.
- In case of installing the product vertically, it may be slid down. As the right figure, set the L-shape metal corner brace beneath the product. Do not pinch the leads by the brace to prevent fire.



### ■ How to remove the product from the channel.

#### CAUTION

- We DO NOT recommend to remove the product from the channel after the installation.
  - Do not install or remove the product when applying an electrical current.
- If reinstalling is necessary, lift up the product slowly and pull it out vertically with your hands.
- DO NOT pull out the product diagonally.



※The contents described on this manual are subject to change without prior notice.