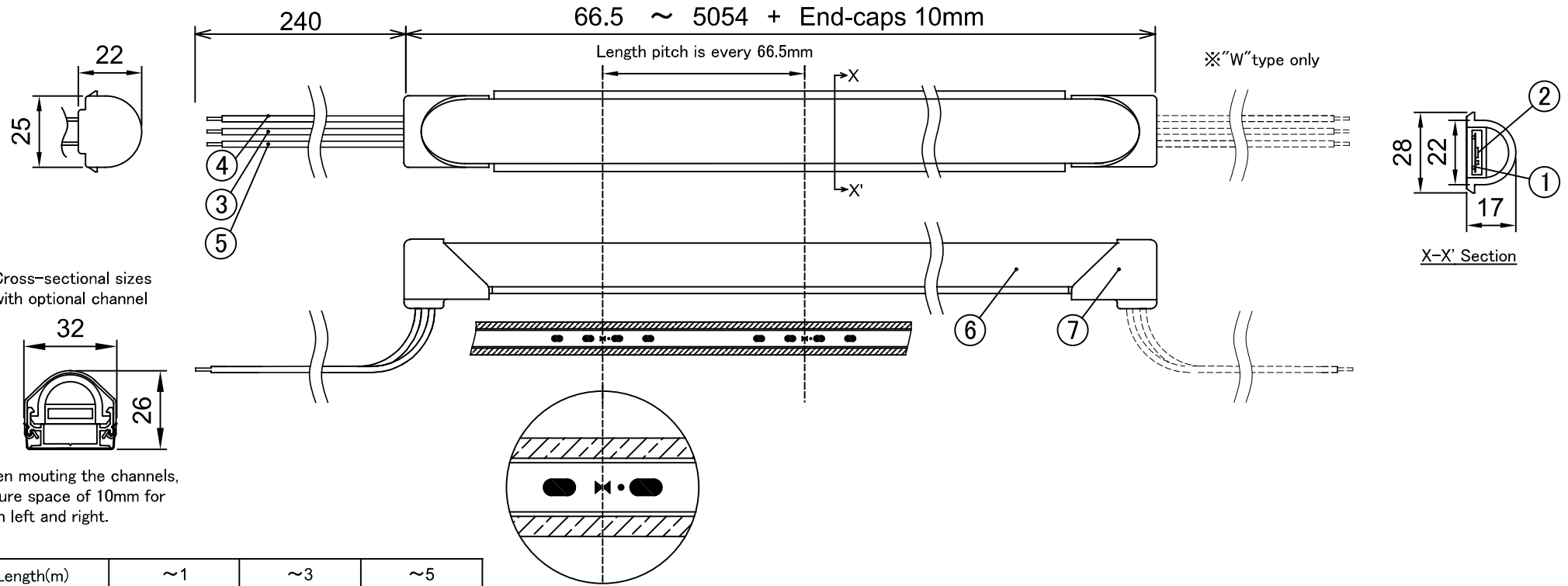


Product Name	Tsubaki Seamless Light Type V Duo (Tunable White)	Scale	1:2 (A4)
--------------	--	-------	----------



Cross-sectional sizes with optional channel

When mounting the channels, ensure space of 10mm for both left and right.

Length(m)	~1	~3	~5
Tolerance(mm)	+10 ~ -11	+10 ~ -16	+10 ~ -20

Enlarged figure of cuttable line

Third-angle projection method (Unit : mm)

Product Specifications		3D		
Product No.	TLD-TU ("W" type: TLD-TUW) *1	8		
Length	66.5mm ~ 5054mm + End-caps 10mm	7	End Cap	Silicone rubber
Weight	280g/m	6	Case	Silicone rubber
Input Voltage	DC24V	5	Lead Wire (V-) for 2200K	Silicone rubber coating Yellow, 0.5sq
Power Consumption	Max.17W/m (2200K only:9W/m, 5500K only:8W/m)	4	Lead Wire (V-) for 5500K	Silicone rubber coating White, 0.5sq
Color Temperature	2200K ~ 5500K	3	Lead Wire (V+)	Silicone rubber coating Red, 0.5sq
Luminous Flux	Max.1350lm/m (2200K only:650lm/m, 5500K only:700lm/m)	2	LED	SMD LED
Beam Angle	155°	1	FPC	
Operating Temperature	-10 ~ 55°C		Parts Name	Material
Environment	Indoor / Outdoor. IP67 rated. Product should not reside in standing water.			Note
Bending Radius	R150mm vertical		Parts List	
Max Unit Connectable	5m (5054mm + End-caps)		Accessories (Option)	
Note	*1 "(Standard)" type : Lead wires at one end. "W" type : Lead wires at both ends.	1	Aluminum Rigid Channel (L=1000 mm) : FAS00-11TD	
		2	Aluminum Mounting Bracket (L=36 mm) : FATD-HA (5 pcs per pack)	
		3	End Cap: EC103-01	
		4		
		5		
		Drawn	Reviser	Approved
		Yamaguchi	Nakashima	Yamaguchi
		2022.1.27	2024.4.5	2024.4.5