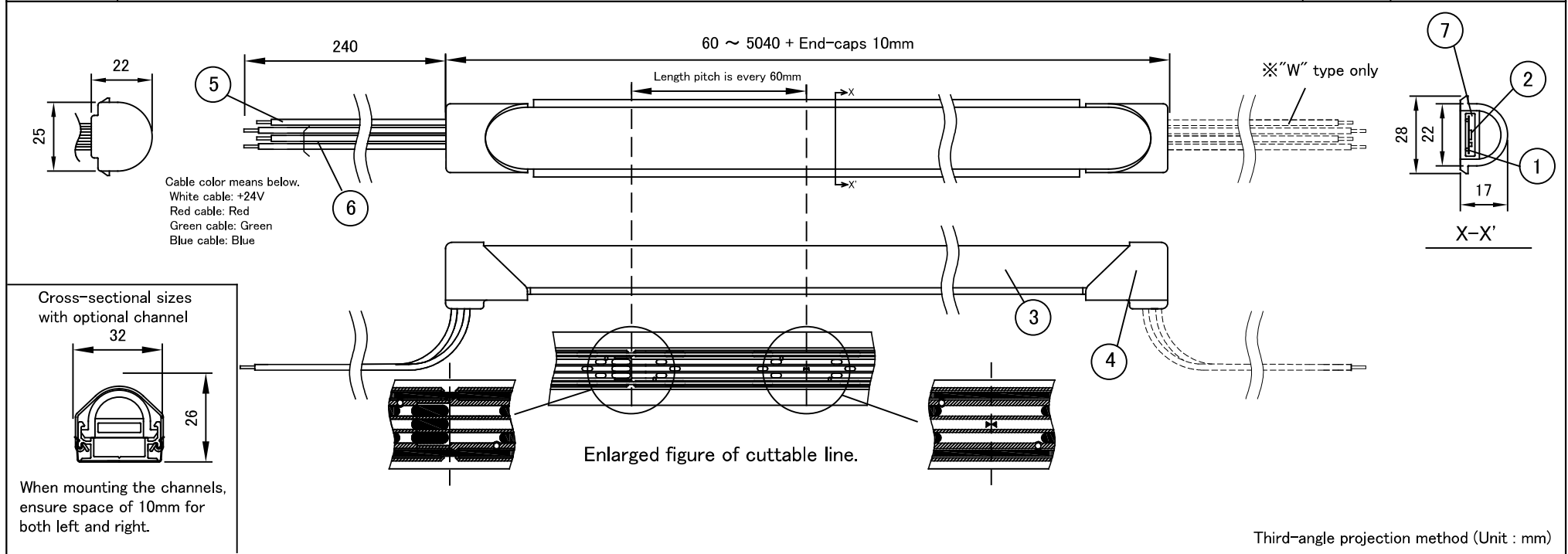


Product Name	TSUBAKI SEAMLESS LIGHT TYPE V RGB (TL10DM)	Scale	1:2 (A4)
--------------	---	-------	-----------------



Product Specifications					3D				
Product No.	TL10-090DM ("W" type: TL10-090DMW) *1				7	Insert	Silicone		
Length	60mm ~ 5040mm + End-caps 10mm *2				6	Lead wire (V-)	Silicone rubber coating		RGB
Weight	300g/m				5	Lead wire (V+)	Silicone rubber coating		+24V
Input Voltage	DC24V				4	End cap	Silicone rubber		
Power Consumption	10W/m (Red: 4.5 / Green: 3.1 / Blue: 2.3 W/m)				3	Case	Silicone rubber		
LED Color	RED	GREEN	BLUE	-	2	LED	SMD LED		
Luminous Flux	110 lm/m	250 lm/m	40 lm/m	-	1	FPC			
Beam Angle	180°					Parts Name	Material		Note
Operating Temperature	-10 ~ 55°C				Parts List				
Environment	Indoor / Outdoor. IP67 rated. The product should not reside in standing water.				Accessories (Option)				
Bending Radius	R150mm Vertical				1	Aluminum Rigid Channel (L=1000 mm) : FAS00-11TD			
Max Unit connectable	10.1m (5040mm × 2 + End-caps)				2	Aluminum Mounting Bracket (L=36 mm) : FATD-HA (5 pcs per pack)			
Note	*1 Standard type: Lead wires at one end. W type: Lead wires at both ends.				3	End Cap: EC103-01			
	*2 5100mm~10080mm : Can be available as custom order.								
								Hashimoto	
								Yanase	
								Yamaguchi	
								2020.1.31	
								2022.5.23	
								2022.5.23	

Please note that content described above may be changed without any advance notice.

ATEX Co.,Ltd

Ver 220523