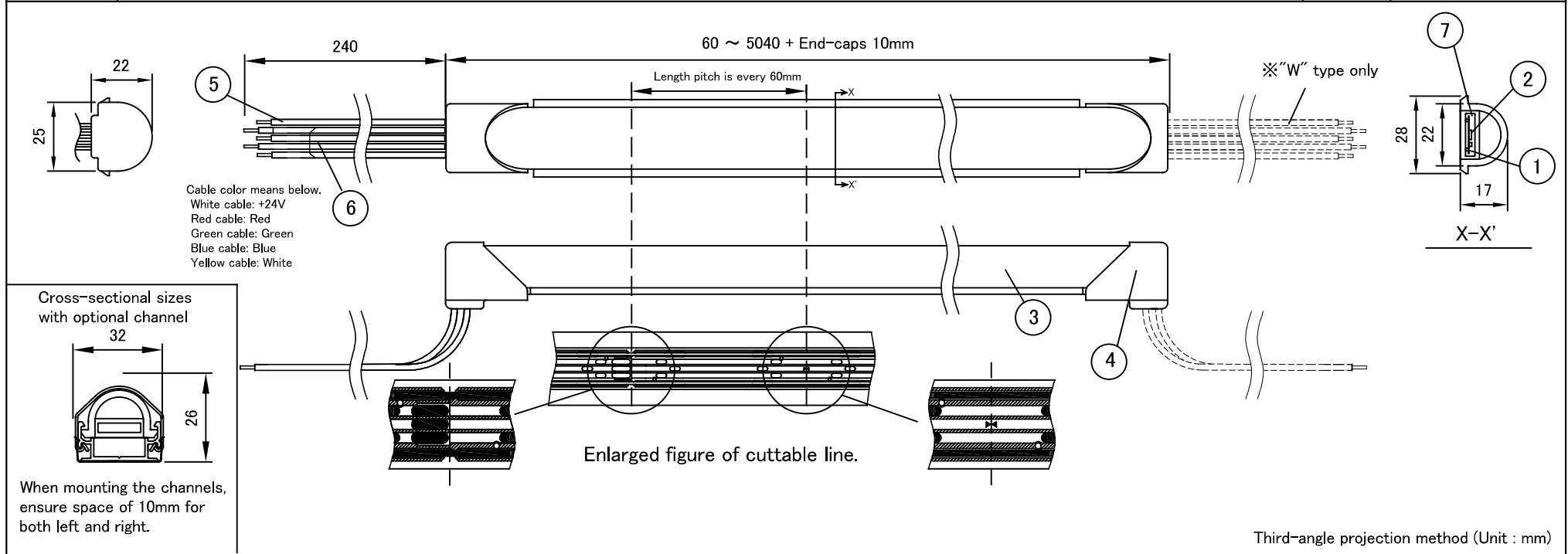


Product Name	TSUBAKI SEAMLESS LIGHT TYPE V RGBW (TL10DM)	Scale	1:2 (A4)
--------------	--	-------	-----------------



Product Specifications					3D			
Product No.	TL10-090DM□□K ("W" type: TL10-090DM□□KW) *1 *2				7	Insert	Silicone	
Length	60mm ~ 5040mm + End-caps 10mm *3				6	Lead wire (V-)	Silicone rubber coating	RGBW
Weight	300g/m				5	Lead wire (V+)	Silicone rubber coating	+24V
Input Voltage	DC24V				4	End cap	Silicone rubber	
Power Consumption	15W/m (Red: 4.5 / Green: 3.1 / Blue: 2.3 / White: 4.8 W/m)				3	Case	Silicone rubber	
LED Color	RED	GREEN	BLUE	WHITE (2800K/5000K)	2	LED	SMD LED	
Luminous Flux	110 lm/m	250 lm/m	40 lm/m	340 lm/m (2800K), 410 lm/m (5000K)	1	FPC		
Beam Angle	180°					Parts Name	Material	Note
Operating Temperature	-10 ~ 55°C							
Environment	Indoor / Outdoor. IP67 rated. The product should not reside in standing water.							
Bending Radius	R150mm Vertical				Parts List Accessories (Option)			
Max Unit connectable	10.1m (5040mm × 2 + End-caps)				1	Aluminum Rigid Channel (L=1000 mm) : FAS00-11TD		
Note	*1 Standard type: Lead wires at one end. W type: Lead wires at both ends.				2	Aluminum Mounting Bracket (L=36 mm) : FATD-HA (5 pcs per pack)		
	*2 "□□" means the LED color.				3	End Cap: EC103-01		
*3 5100mm ~ 10080mm: Can be available as custom order.								Drawn: Hashimoto Reviser: Yanase Approved: Yamaguchi 2020.1.31 2022.5.23 2022.5.23

Please note that content described above may be changed without any advance notice.

ATEX Co.,Ltd

Ver 220523