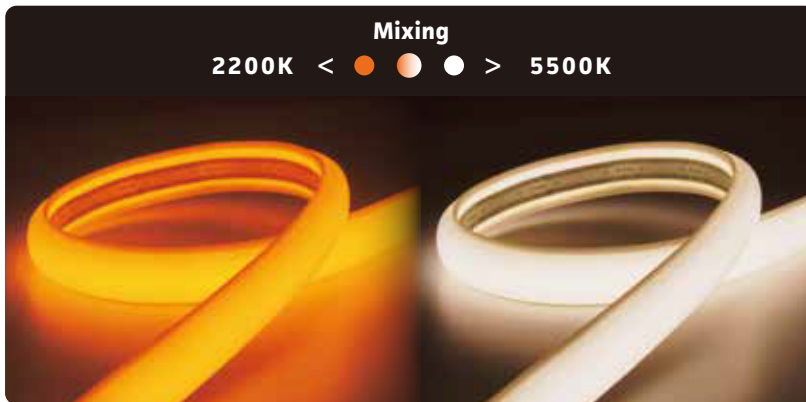


TSUBAKI SEAMLESS LIGHT TYPE V DUO (Tunable White)

NEW



KEY FEATURES AND BENEFITS

- **IP67 Rated flexible LED Strip with Top-Bend**
- **Adjustable CCT range : 2200K~5500K**
- **Max length : 5064mm**
- **Customizable 76 different lengths**
- **Uniformed brightness with Copper wires**
- **LEDs sealed by Silicone**
- **Installation :** See ACCESSORIES for options on mounting channels and brackets.
- **Environment :** Exterior. IP67 rated. Water and dust resistant. Proper drainage required. Product should not reside in standing water. Not for use as a submersible light source.
- **Power and Control :** DMX-512, DALI on/off, and dimming control options. Contact factory for more information.

ORDERING

PRODUCT No.	LENGTH
TLD-TU	5064.0
1	2
PRODUCT	LEAD WIRES
	3
	LENGTH

1	PRODUCT
TLD-TU	Tsubaki Seamless Light Type V Duo (Tunable White)
2	LEAD WIRES
-	Lead wires at one end.
W	Lead wires at both ends.
3	LENGTH
	See length ordering guide.

PRODUCT No.

Standard	"W" Type ¹	LED COLOR
TLD-TU	TLD-TUW	2200K/5500K

※Please contact factory if you request other single color and color temperature.
¹ "Lead wires at both ends" Type

ATEX PRODUCT TECHNOLOGY

1. Uniform LED brightness by special structure with Copper Wires
2. Seamless long flexible printed circuit board technology



PRODUCT SPECIFICATIONS

LED	(105+105) LED/m
LED PITCH	9.5 mm
2200K	650 lm/m
5500K	700 lm/m
INPUT	24VDC
WATTS	17 W/m (2200K:9w/m, 5500K:8w/m)
WIDTH¹	28 mm
HEIGHT¹	17 mm
LENGTH²	76.5 mm ~ 5064 mm
WEIGHT	280g /m
BEAM ANGLE	155°
TRIM POINTS	Every 66.5 mm
Max Unit Connectable	5 m (5064mm)
Bending Radius	R150mm vertical
Operating Temperature	-10° to 55°C

¹End cap is 25w x 22h mm.

²Standard. See LENGTH ORDERING GUIDE.

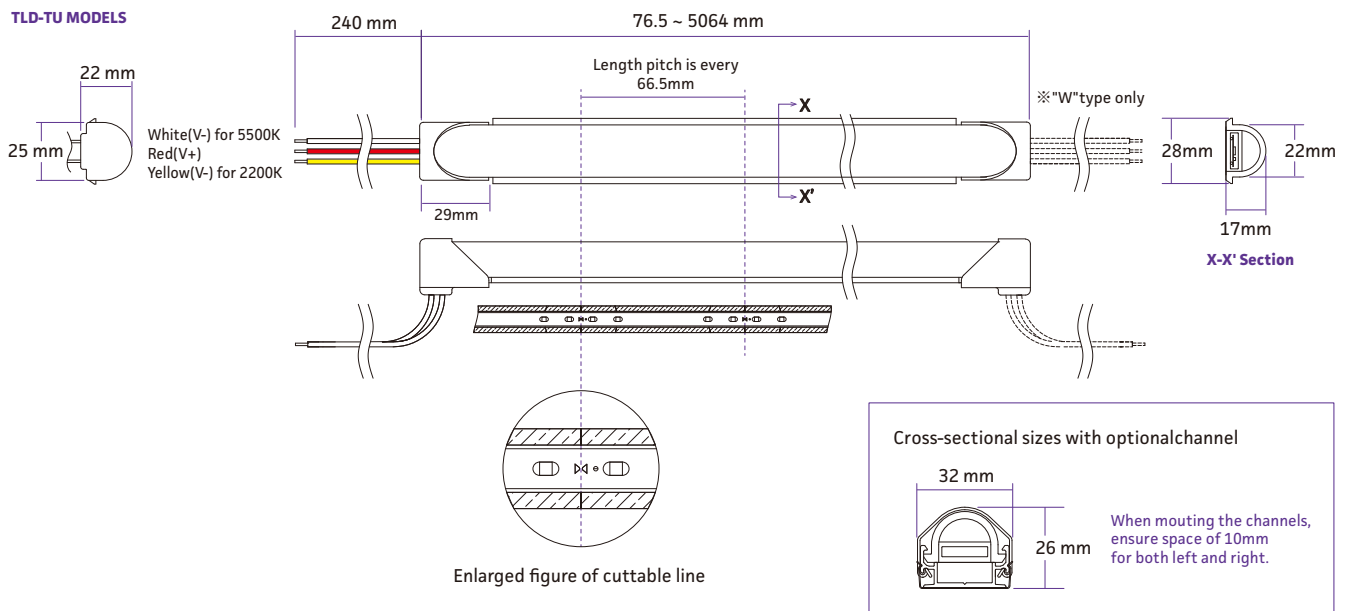
TSUBAKI SEAMLESS LIGHT TYPE V DUO (Tunable White)

NEW

LENGTH ORDER CODE GUIDE (LENGTHS INCLUDE END CAPS.)

MM	MM	MM	MM	MM
76.5	1074.0	2071.5	3069.0	4066.5
143	1140.5	2138.0	3135.5	4133.0
209.5	1207.0	2204.5	3202.0	4199.5
276	1273.5	2271.0	3268.5	4266.0
342.5	1340.0	2337.5	3335.0	4332.5
409	1406.5	2404.0	3401.5	4399.0
475.5	1473.0	2470.5	3468.0	4465.5
542	1539.5	2537.0	3534.5	4532.0
608.5	1606.0	2603.5	3601.0	4598.5
675	1672.5	2670.0	3667.5	4665.0
741.5	1739.0	2736.5	3734.0	4731.5
808	1805.5	2803.0	3800.5	4798.0
874.5	1872.0	2869.5	3867.0	4864.5
941	1938.5	2936.0	3933.5	4931.0
1007.5	2005.0	3002.5	4000.0	4997.5
				5064.0

DIMENSIONS



ACCESSORIES¹

ALUMINUM CHANNELS FOR STRAIGHT LINE

- FAS00-11TD**
Rigid channel for straight line installations Including bracket tool 3pce

Weight : 230g
W x H x L : 32×15×1000mm



ALUMINUM MOUNTING BRACKET FOR FLEXIBLE LINE

- FATD-HA(5pcs per pack)**
Mounting bracket including bracket tool 1pc Please use 5pcs per meter

Weight : 5g / PC
W x H x L : 32×15×36mm



¹ Select one method for installation. These accessories are not used together. See INSTALLATION.