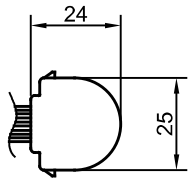
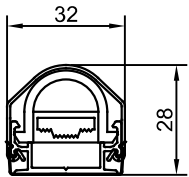


Product Name	Tsubaki Seamless Light Type V Addressable	Scale	1:2 (A4)
--------------	---	-------	----------



Cross-sectional sizes when installed with FAS00-01TDA or FATDA-HA



When mounting the channels, ensure space of 10mm for both left and right.

Product No.	Length
TLD-ADR-F	L = 114 ~ 1026 + 10mm
TLD-ADR-S	L = 114 ~ 1026 + 10mm
TLD-ADR-L	L = 171 ~ 1026 + 10mm

=

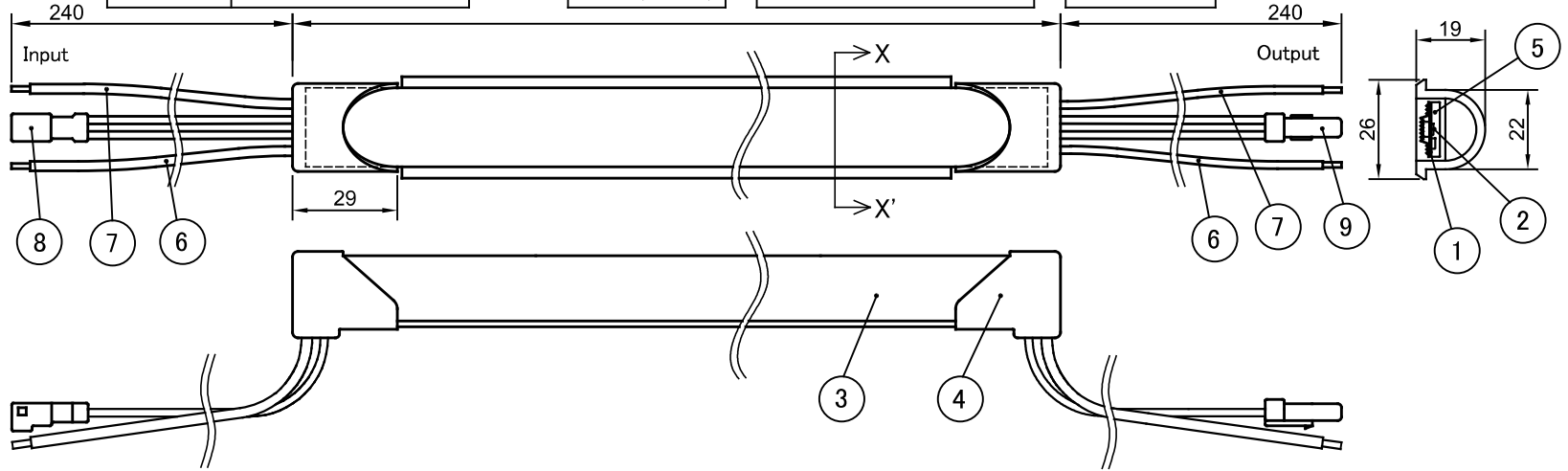
Basic Length
57mm (6LEDs)
114mm (12LEDs)
171mm (18LEDs)

X

Multiple Number of basic length
2 ~ 18
1 ~ 9
1 ~ 6

+

End Cap Length
10mm

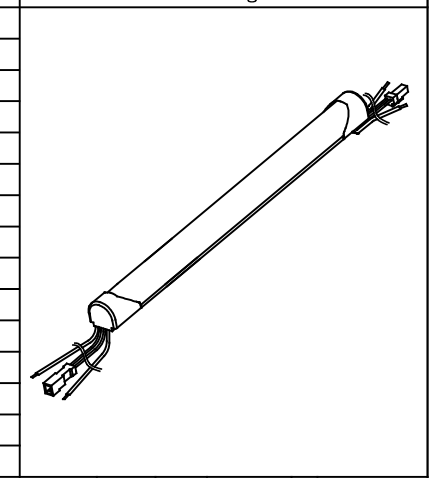


※When connecting products and power supplies in parallel in multiple systems, make sure that the types and lengths of the wires in each system are the same to prevent differences in brightness and color between the products.

Length(m)	~ 1
Tolerance(mm)	+10 ~ -10

Third-angle projection method (Unit : mm)

Product Specifications				9	DMX Signal Send Cable	Silicone rubber coating	White , Waterproof Connector (JWPF series, 2pin)																																	
Pitch Type	Fine Pitch	Standard Pitch	Long Pitch	8	DMX Signal Input Cable	Silicone rubber coating	Black , Waterproof Connector (JWPF series, 2pin)																																	
Product No.	TLD-ADR-F	TLD-ADR-S	TLD-ADR-L	7	Lead Wire (V-)	Silicone rubber coating	Black , AWG20 (0.5sq)																																	
Length	114 mm ~ 1026mm + End-caps 10mm		171mm ~ 1026mm + End-caps 10mm	6	Lead Wire (V+)	Silicone rubber coating	Red , AWG20 (0.5sq)																																	
Weight	340 g/m			5	Filler	Silicone rubber	Clear																																	
Input Voltage	DC24V			4	End cap	Silicone rubber	Translucent																																	
Power Consumption	13W/m	12W/m		3	Case	Silicone rubber	Translucent																																	
Color	Red, Green, Blue			2	Color LED	SMD LED																																		
Luminous Flux	Red: 110 lm/m, Green: 260 lm/m, Blue: 50 lm/m			1	FPC	Polyimide	Flexible Printed Circuits																																	
Beam Angle	160°			<table border="1"> <thead> <tr> <th>Parts Name</th> <th>Material</th> <th>Note</th> </tr> </thead> <tbody> <tr> <td colspan="3">Parts List</td> </tr> <tr> <td colspan="3">Accessories (Option)</td> </tr> <tr> <td>1</td> <td>Aluminum Rigid Channel</td> <td>FAS00-01TDA Length=1000mm</td> </tr> <tr> <td>2</td> <td>Aluminum Mounting Bracket (for curvy line)</td> <td>FATDA-HA Length=36mm Including spring 5pcs per pack Please use 5pcs per meter.</td> </tr> <tr> <td>3</td> <td>DMX Input Cable for XLR3</td> <td>WCADR-XLR3C Length=1000mm waterproof type except XLR3</td> </tr> <tr> <td>4</td> <td>DMX Input Cable for XLR5</td> <td>WCADR-XLR5C Length=1000mm waterproof type except XLR5</td> </tr> <tr> <td>5</td> <td>DMX Input Cable for RJ45</td> <td>WCADR-RJ45C Length=1000mm waterproof type except RJ45</td> </tr> <tr> <td>6</td> <td>DMX Relay Cable</td> <td>WCADR-DMXRC Length=1000mm waterproof type</td> </tr> <tr> <td>7</td> <td>Power and DMX Relay Cable</td> <td>WCADR-DCDMXRC Length=1000mm waterproof type</td> </tr> <tr> <td>8</td> <td></td> <td></td> </tr> </tbody> </table>				Parts Name	Material	Note	Parts List			Accessories (Option)			1	Aluminum Rigid Channel	FAS00-01TDA Length=1000mm	2	Aluminum Mounting Bracket (for curvy line)	FATDA-HA Length=36mm Including spring 5pcs per pack Please use 5pcs per meter.	3	DMX Input Cable for XLR3	WCADR-XLR3C Length=1000mm waterproof type except XLR3	4	DMX Input Cable for XLR5	WCADR-XLR5C Length=1000mm waterproof type except XLR5	5	DMX Input Cable for RJ45	WCADR-RJ45C Length=1000mm waterproof type except RJ45	6	DMX Relay Cable	WCADR-DMXRC Length=1000mm waterproof type	7	Power and DMX Relay Cable	WCADR-DCDMXRC Length=1000mm waterproof type	8		
Parts Name	Material	Note																																						
Parts List																																								
Accessories (Option)																																								
1	Aluminum Rigid Channel	FAS00-01TDA Length=1000mm																																						
2	Aluminum Mounting Bracket (for curvy line)	FATDA-HA Length=36mm Including spring 5pcs per pack Please use 5pcs per meter.																																						
3	DMX Input Cable for XLR3	WCADR-XLR3C Length=1000mm waterproof type except XLR3																																						
4	DMX Input Cable for XLR5	WCADR-XLR5C Length=1000mm waterproof type except XLR5																																						
5	DMX Input Cable for RJ45	WCADR-RJ45C Length=1000mm waterproof type except RJ45																																						
6	DMX Relay Cable	WCADR-DMXRC Length=1000mm waterproof type																																						
7	Power and DMX Relay Cable	WCADR-DCDMXRC Length=1000mm waterproof type																																						
8																																								
Bending Radius	R150 mm Vertical																																							
Dimming Signal Standard	DMX512 Standard																																							
Compatible DMX Controller	DMX Controller Conforming to DMX512 Standard * Please contact our sales for recommended models.																																							
DMX Address	From the beginning, 1ch: R / 2ch: G / 3ch: B ... will be addressed automatically. When concatenated, DMX addresses will be consecutive from the unit in front.																																							
DMX Control Length	57mm Unit	114mm Unit	171mm Unit																																					
Used DMX Channels	54 channels / m	27 channels / m	18 channels / m																																					
Maximum DMX Control Length	9,690mm	19,380mm	29,070mm																																					
Max Unit Connectable	6.2m(1,026mm x 6 + 端部長) *If you connect more products, the brightness and color will vary greatly.																																							
Operating Temperature	-10 ~ 55°C																																							
Environment	Indoor / Outdoor (IP67 rated)																																							



Drawn	Reviser	Approved
Kawasaki	Nakashima	Yamaguchi
2021.2.16	2024.4.5	2024.4.5

Please note that content described above may be changed without any advance notice

Atex Co.,Ltd

Ver 240405