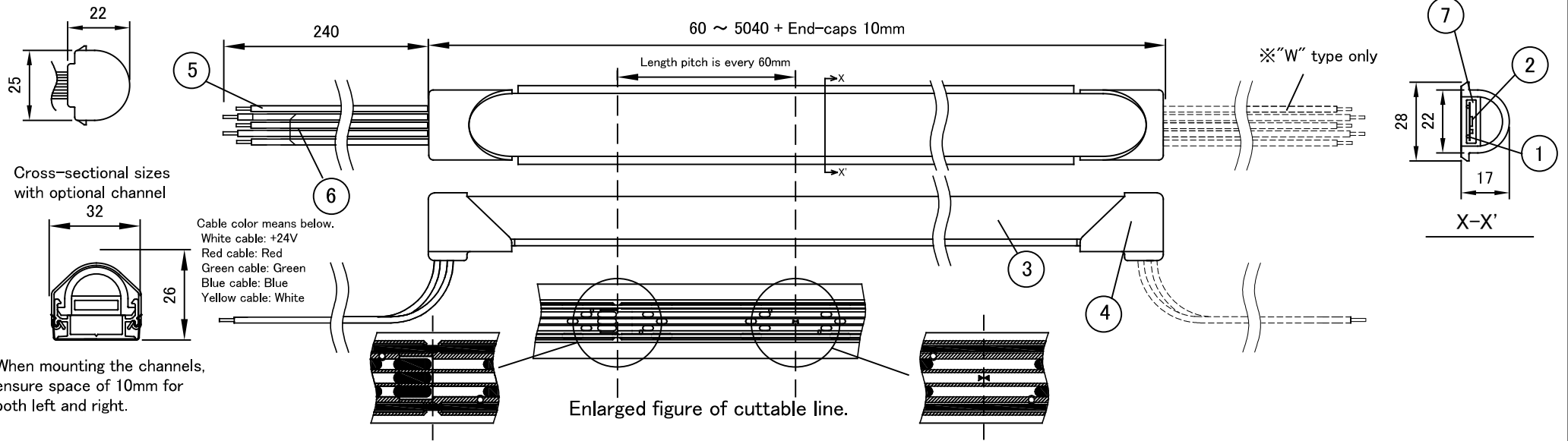


Product Name	<b>TSUBAKI SEAMLESS LIGHT TYPE V RGBW (TL10DM)</b>	Scale	<b>1:2 (A4)</b>
--------------	--	-------	-----------------



Length(m)	~1	~3	~5
Tolerance(mm)	+15 ~ -8	+15 ~ -14	+15 ~ -20

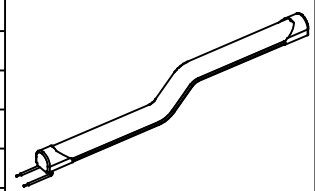
Third-angle projection method (Unit : mm)

Product Specifications				
Product No.	TL10-090DM□□K ("W" type: TL10-090DM□□KW) *1 *2			
Length	60mm ~ 5040mm + End-caps 10mm *3			
Weight	300g/m			
Input Voltage	DC24V			
Power Consumption	15W/m (Red: 4.5 / Green: 3.1 / Blue: 2.3 / White: 4.8 W/m)			
LED Color	RED	GREEN	BLUE	WHITE (2800K/5000K)
Luminous Flux	110 lm/m	250 lm/m	40 lm/m	340 lm/m (2800K), 410 lm/m (5000K)
Beam Angle	180°			
Operating Temperature	-10 ~ 55°C			
Environment	Indoor / Outdoor. IP67 rated. The product should not reside in standing water.			
Bending Radius	R150mm Vertical			
Max Unit connectable	10.1m (5040mm × 2 + End-caps)			
Note	*1 Standard type: Lead wires at one end. W type: Lead wires at both ends. *2 "□□" means the LED color. *3 5100mm ~ 10080mm: Can be available as custom order.			

Parts Name	Material	Note
7	Insert	Silicone
6	Lead wire (V-)	Silicone rubber coating RGBW
5	Lead wire (V+)	Silicone rubber coating +24V
4	End cap	Silicone rubber
3	Case	Silicone rubber
2	LED	SMD LED
1	FPC	

Parts List		
Accessories (Option)		
1	Aluminum Rigid Channel (L=1000 mm) : FAS00-11TD	
2	Aluminum Mounting Bracket (L=36 mm) : FATD-HA (5 pcs per pack)	
3	End Cap: EC103-01	

3D		
Drawn	Reviser	Approved
Hashimoto	Nakashima	Yamaguchi
2020.1.31	2024.4.8	2024.4.8



Please note that content described above may be changed without any advance notice.

ATEX Co.,Ltd

Ver 240408