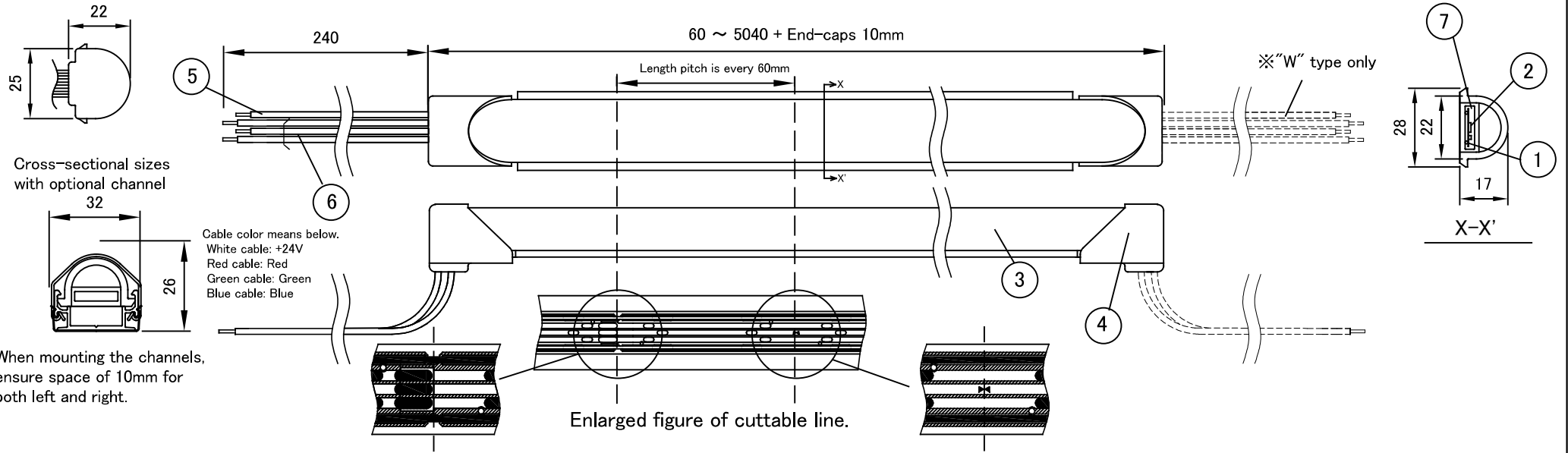


Product Name	TSUBAKI SEAMLESS LIGHT TYPE V RGB (TL10DM)	Scale	1:2 (A4)
--------------	---	-------	-----------------



Length(m)	~1	~3	~5
Tolerance(mm)	+15 ~ -8	+15 ~ -14	+15 ~ -20

Product Specifications				
Product No.	TL10-090DM (“W” type: TL10-090DMW) *1			
Length	60mm ~ 5040mm + End-caps *2			
Weight	300g/m			
Input Voltage	DC24V			
Power Consumption	10W/m (Red: 4.5 / Green: 3.1 / Blue: 2.3 W/m)			
LED Color	RED	GREEN	BLUE	-
Luminous Flux	110 lm/m	250 lm/m	40 lm/m	-
Beam Angle	180°			
Operating Temperature	-10 ~ 55°C			
Environment	Indoor / Outdoor. IP67 rated. The product should not reside in standing water.			
Bending Radius	R150mm Vertical			
Max Unit connectable	10.1m (5040mm × 2 + End-caps)			
Note	*1 Standard type: Lead wires at one end. W type: Lead wires at both ends. *2 5100mm~10080mm : Can be available as custom order.			

Parts List			
Accessories (Option)			
7	Insert	Silicone	
6	Lead wire (V-)	Silicone rubber coating	RGB
5	Lead wire (V+)	Silicone rubber coating	+24V
4	End cap	Silicone rubber	
3	Case	Silicone rubber	
2	LED	SMD LED	
1	FPC		
	Parts Name	Material	Note
1	Aluminum Rigid Channel (L=1000 mm) : FAS00-11TD		
2	Aluminum Mounting Bracket (L=36 mm) : FATD-HA (5 pcs per pack)		
3	End Cap: EC103-01		

3D		
Drawn	Reviser	Approved
Hashimoto	Nakashima	Yamaguchi
2020.1.31	2024.4.8	2024.4.8

Please note that content described above may be changed without any advance notice.