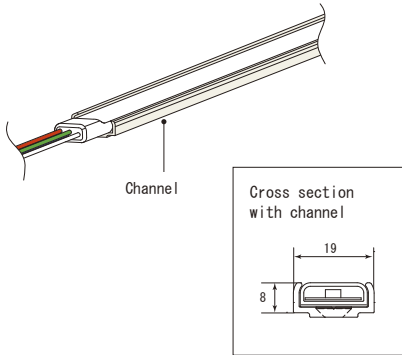


Installation with the channel



Installation with the bracket

Use the bracket every 180mm.

