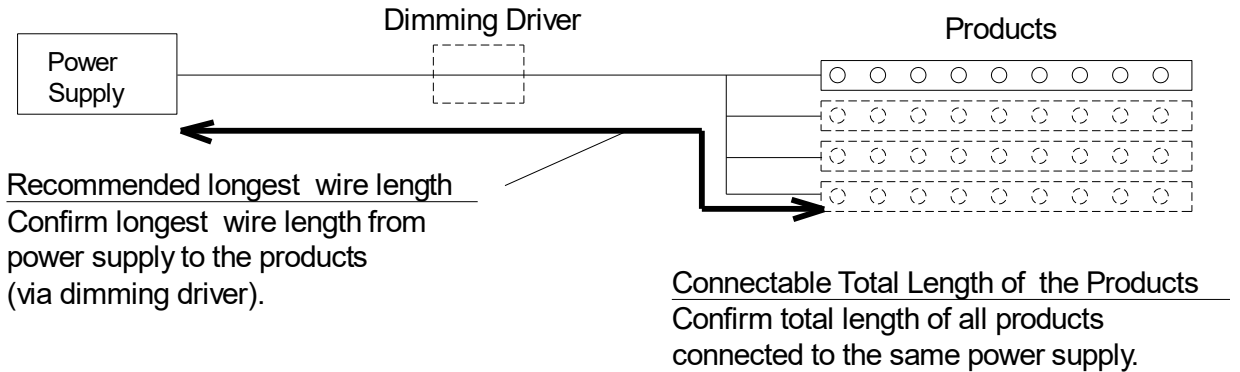


Length of the Products and Wires

Product:	TL10AM/TL10DM(RGBW)
-----------------	----------------------------

Power consumption: 15 W/m



Connectable Total Length of the Products (When use HLG power supply)

- Please use the power supply at 70% output, for the long term reliability.
- If total length of the products exceed "Maximum series connectios length", connect them in parallel.

Power supply	Rated output	Recommended output	Connectable Total Length of the Product
HLG-60H-24	60.0 W	42.0 W	2.8 m
HLG-100H-24	96.0 W	67.2 W	4.4 m
HLG-150H-24	150.0 W	105.0 W	7.0 m
HLG-240H-24	240.0 W	168.0 W	11.2 m
HLG-320H-24	320.0 W	224.0 W	14.9 m

Recommended longest wire length from power supply to the products

- If the wiring exceeds the following length, brightness reduction may be conspicuous.
- When using multiple products, wiring to each products should be the same length.

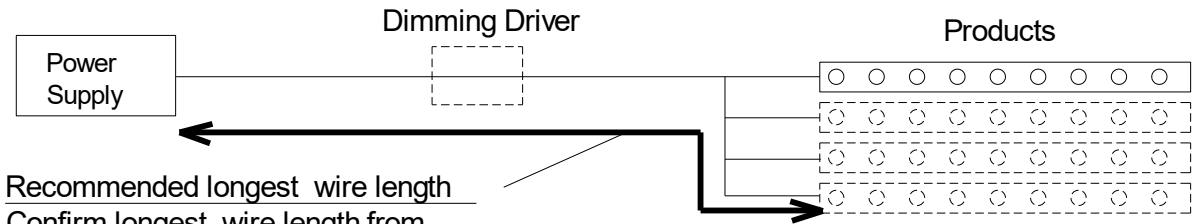
Cable Core: 5 cores		VCTF/Twisted wire (mm ²)			VVF/Single Wire (φmm)		
Product Length	Power consumption	0.75sq/2C	1.25sq/2C	2sq/2C	1.6mm/2C	2mm/2C	2.6mm/2C
0.5 m	7.5 W	108 m	180 m	288 m	-	-	-
1.0 m	15.0 W	54 m	90 m	144 m	-	-	-
1.5 m	22.5 W	36 m	60 m	96 m	-	-	-
2.0 m	30.0 W	27 m	45 m	72 m	-	-	-
2.5 m	37.5 W	22 m	36 m	58 m	-	-	-
3.0 m	45.0 W	18 m	30 m	48 m	-	-	-
3.5 m	52.5 W	15 m	26 m	41 m	-	-	-
4.0 m	60.0 W	13 m	22 m	36 m	-	-	-
4.5 m	67.5 W	12 m	20 m	32 m	-	-	-
5.0 m	75.0 W	11 m	18 m	29 m	-	-	-
5.5 m	82.5 W	10 m	16 m	26 m	-	-	-
6.0 m	90.0 W	9 m	15 m	24 m	-	-	-
6.5 m	97.5 W	8 m	14 m	22 m	-	-	-
7.0 m	105.0 W	8 m	13 m	21 m	-	-	-
7.5 m	112.5 W	7 m	12 m	19 m	-	-	-
8.0 m	120.0 W	7 m	11 m	18 m	-	-	-
8.5 m	127.5 W	6 m	11 m	17 m	-	-	-
9.0 m	135.0 W	6 m	10 m	16 m	-	-	-
9.5 m	142.5 W	6 m	9 m	15 m	-	-	-
10.0 m	150.0 W	5 m	9 m	14 m	-	-	-

Above are approximate values.

Length of the Products and Wires

Product:	TL10AM/TL10DM(RGB)
-----------------	---------------------------

Power consumption: 10 W/m



Recommended longest wire length
Confirm longest wire length from
power supply to the products
(via dimming driver).

Connectable Total Length of the Products
Confirm total length of all products
connected to the same power supply.

Connectable Total Length of the Products (When use HLG power supply)

- Please use the power supply at 70% output, for the long term reliability.
- If total length of the products exceed "Maximum series connectios length", connect them in parallel.

Power supply	Rated output	Recommended output	Connectable Total Length of the Product
HLG-60H-24	60.0 W	42.0 W	4.2 m
HLG-100H-24	96.0 W	67.2 W	6.7 m
HLG-150H-24	150.0 W	105.0 W	10.5 m
HLG-240H-24	240.0 W	168.0 W	16.8 m
HLG-320H-24	320.0 W	224.0 W	22.4 m

Recommended longest wire length from power supply to the products

- If the wiring exceeds the following length, brightness reduction may be conspicuous.
- When using multiple products, wiring to each products should be the same length.

Cable Core: 4 cores		VCTF/Twisted wire (mm ²)			VVF/Single Wire (φmm)		
Product Length	Power consumption	0.75sq/2C	1.25sq/2C	2sq/2C	1.6mm/2C	2mm/2C	2.6mm/2C
0.5 m	5.0 W	152 m	253 m	404 m	406 m	635 m	-
1.0 m	10.0 W	76 m	126 m	202 m	203 m	318 m	-
1.5 m	15.0 W	51 m	84 m	135 m	135 m	212 m	-
2.0 m	20.0 W	38 m	63 m	101 m	102 m	159 m	-
2.5 m	25.0 W	30 m	51 m	81 m	81 m	127 m	-
3.0 m	30.0 W	25 m	42 m	67 m	68 m	106 m	-
3.5 m	35.0 W	22 m	36 m	58 m	58 m	91 m	-
4.0 m	40.0 W	19 m	32 m	51 m	51 m	79 m	-
4.5 m	45.0 W	17 m	28 m	45 m	45 m	71 m	-
5.0 m	50.0 W	15 m	25 m	40 m	41 m	64 m	-
5.5 m	55.0 W	14 m	23 m	37 m	37 m	58 m	-
6.0 m	60.0 W	13 m	21 m	34 m	34 m	53 m	-
6.5 m	65.0 W	12 m	19 m	31 m	31 m	49 m	-
7.0 m	70.0 W	11 m	18 m	29 m	29 m	45 m	-
7.5 m	75.0 W	10 m	17 m	27 m	27 m	42 m	-
8.0 m	80.0 W	9 m	16 m	25 m	25 m	40 m	-
8.5 m	85.0 W	9 m	15 m	24 m	24 m	37 m	-
9.0 m	90.0 W	8 m	14 m	22 m	23 m	35 m	-
9.5 m	95.0 W	8 m	13 m	21 m	21 m	33 m	-
10.0 m	100.0 W	8 m	13 m	20 m	20 m	32 m	-

Above are approximate values.