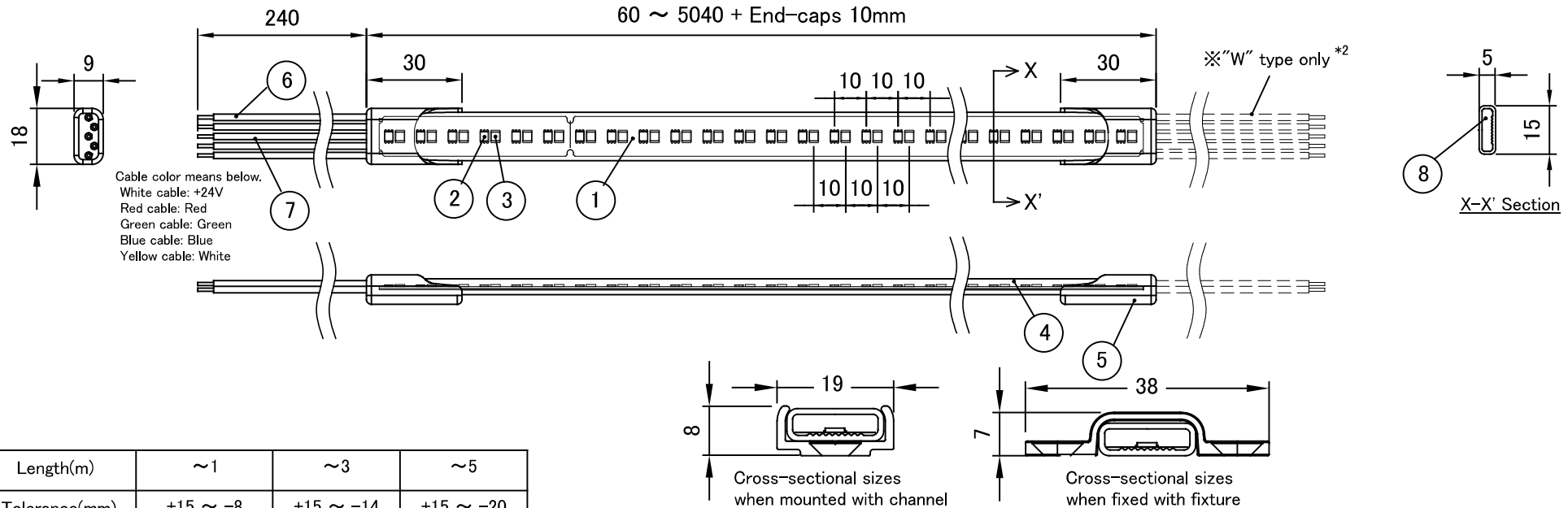


Product Name	Tape Light RGBW	TL10AM	Scale	1 : 2 (A4)
--------------	------------------------	---------------	-------	-------------------



Length(m)	~1	~3	~5
Tolerance(mm)	+15 ~ -8	+15 ~ -14	+15 ~ -20

Third-angle projection method (Unit : mm)

Product Specifications				10		3D				
Product No.	TL10-090AM□□K ("W" type: TL10-090AM□□KW)*1			9						
Length	60mm ~ 5040mm + End-caps 10mm*2			8	Insert					Silicone
Cutting points	60mm (6 LED) *Customized length order available			7	Lead wire (V-)					Silicone rubber coating / RGBW
Weight	115g/m			6	Lead wire (V+)					Silicone rubber coating / +24V
Input Voltage	DC24V ±1%	Power Consumption	15W/m (Red: 4.5 / Green: 3.1 / Blue: 2.3 / White: 4.8 W/m)	5	End Cap					Silicone rubber
LED Color	Red, Green, Blue, White and mixed colors			4	Case					Silicone rubber
Color Temperature (White LED)	2800K, 5000K * □□: Two columns of the white LED color temp.			3	White Color LED					SMD LED
Total Lumens	Red: 140 lm/m, Green: 270 lm/m, Blue: 60 lm/m, White: 420lm/m(2800K), 500lm/m(5000K)			2	Color LED					SMD LED
Beam Angle	115°			1	FPC					
Operating Temperature	-10 ~ 55°C			Parts List						Note
Environment	IP67 rated. Water and dust resistant. Product should not reside in standing water.			Accessories (Option)						
Bending Radius	R30mm vertical			1	Polycarbonate Channel	※Length=1000mm for straight line installations. FJS00-22				
Max Unit connectable	10.1m (5040mm × 2 + End-caps)			2	Polycarbonate Bracket	※5 pieces per meter for flexible line installations. FJB00-21				
Note	*1 "(Standard)" type : Lead wires at one end. "W" type : Lead wires at both ends.			3		Design	Reviser	Approval		
	*2 5100mm~10080mm : Can be available as custom order			4		Yamaguchi	Nakashima	Yamaguchi		
						2016.8.29	2024.4.5	2024.4.5		

Please note that content described above may be changed without any advance notice.

Atex Co., Ltd.

Ver 240405