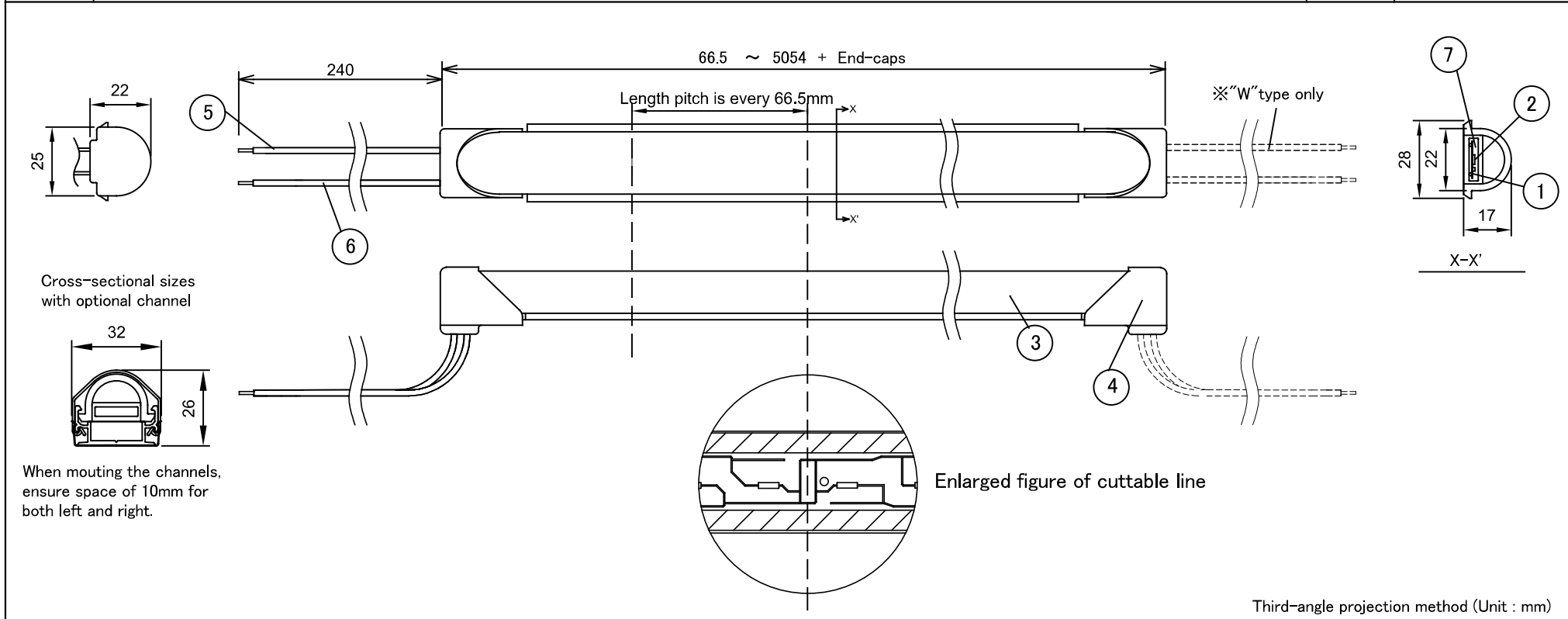


Product Name	<b>TSUBAKI SEAMLESS LIGHT TYPE V (TL09D)</b>	Scale	1:2 (A4)
--------------	--	-------	----------



Product Specifications										8			3D			
Product No.	TL09-090D□□K ("W" type: TL09-090D□□KW) *1 *2									7	Insert	Silicone				
Length	66.5 mm ~ 5054 mm + End-caps 10mm *3									6	Lead wire (V-)	Silicone rubber coating	Cable color: Black			
Weight	280g/m									5	Lead wire (V+)	Silicone rubber coating	Cable color: Red			
Input Voltage	DC24V									4	End Cap	Silicone rubber				
Power Consumption	11W/m (Red: 8W/m)									3	Case	Silicone rubber				
Color Temperature	2200K	2500K	2800K	3000K	3500K	4000K	5000K	RX (Red)	BX (Blue)	2	LED	SMD LED				
Luminous Flux	490 lm/m	770 lm/m	850 lm/m	870 lm/m	1010 lm/m	1050 lm/m	1020 lm/m	220 lm/m	160 lm/m	1	FPC					
Beam Angle	180°										Parts Name	Material	Note			
Operating Temperature	-10 ~ 55°C										Parts List					
Environment	Indoor / Outdoor, IP67 rated. Product should not reside in standing water.										Accessories (Option)					
Bending Radius	R150mm vertical									1	Aluminum Rigid Channel (L=1000 mm) : FAS00-11TD					
Max Unit Connectable	10.1m (5054mm × 2 + End-caps)									2	Aluminum Mounting Bracket (L=36 mm) : FATD-HA (5 pcs per pack)			Drawn	Reviser	Approved
Note	*1 "(Standard)" type : Lead wires at one end. "W" type : Lead wires at both ends.									3	End Cap: EC103-01			Hashimoto	Shiokawa	Yamaguchi
	*2 "□□" means the first two digits of the colour temperature of the product.									4				2020.01.31	2022.05.11	2022.05.11
	*3 5127.5mm ~ 10115mm: Can be available as custom order.									5						

