

Sheet Light V Instruction Manual

We will appreciate for your purchasing the product. Please carefully read this manual to install the product correctly and safely.
The contents described on this manual are subject to change without prior notice.

Atex Co.,Ltd.
For Keeping
Ver.20240418

WARNING

Read this section carefully to prevent electrical shock, fire and other hazard.

- Qualifications are required to do electrical works. Check the laws of your country.
- Input voltage is 24V DC only. Do not apply other voltage such as AC power.
- Do not disassemble or alter the product.
- Turn off the power before installing or handling the product.
- Please do not perform the following actions on the product.
Excessive bending and twisting of the product.
Dropping and strongly striking the product.
- Do not install or handle the product with wet hands.
- This product is for indoor and dry location use only. Do not install the product in a wet or high humid location.
- Clean and inspect the product on a regular basis. Leaving the product for a long period of time may cause smoke, fire, or electric shock.
 - Voluntary inspection and cleaning (once a year).
 - Inspection and cleaning by specialists such as an electrician (once every three years).
- If there is any trouble with the product, please immediately turn off the power and contact the dealer or installer.

CAUTION

- Please be careful that eyes might be hurt when you look straight at light emitting part.
- Please be careful about static electricity. It will damage LED's.
- Do not bend the product tighter than the minimum bending radius (R300mm). It may cause a malfunction.
- Do not install the lead wires with tension. It may cause the failure.
- The temperature rise of the product is influenced with the capacity and the distance from housing. Ambient temperatures must remain the product specification.
- The product cannot be used in the atmosphere of corrosive gas and flammable gas, like the following.
 - Area with synthetic rubbers, cardboards, and other materials containing Sulphur.
 - Area with hot springs containing Sulphur.
- Even if the bending is looser than the minimum bending radius (R300mm), repeated bending of the product may cause a malfunction.

Specification

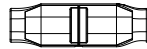
Product Name	Product No.	Size	Weight	Color Temperature	Input Voltage	Power Consumption	Operating Temperature	Light diffusing distance	Minimum bending radius	Maximum series connection length	Remarks
Sheet Light V	SHMV-□□K	W:440mm H:440mm t:1.5mm	400g	2700K,3000K,3500K, 4000K,5000K	DC24V	12W	indoor -10 ~ +40°C	100 mm or more	R300mm	8 sheets	PWM dimming is possible.

- For detailed specifications such as external drawings, please refer to the drawings of the product.
- Please note that there is some variation in color among LED's.
- The white of RGB LED, and the white of single-color LED's is different in hues.
- The balance of emitted light color may change over time.

- This product should be installed in a cover with a light diffusing plate. Also, the distance to the light diffusing plate should be "Light diffusing distance".
- When arranging the products side by side in the cover, keep the interval within 10 mm. If the interval exceeds 10 mm, non-uniformity of light may be conspicuous.
- In advance, check light uniformity with the light diffusing plate, and if non-uniformity of light is conspicuous, increase the distance to the light diffusing plate.

- The laminated film may contain wrinkles / air bubbles / foreign matter, but it does not affect the quality of the product.
- Please contact our sales for custom size products and on-site size adjustment.

■ Parts for Installation (Options)

Product Name	Product No.	Specification	Out looking	Remarks
Connector	2213800-4	Water proof 2 terminals		5 pcs per pack. This connector is waterproof, but Sheet Light V is not waterproof.

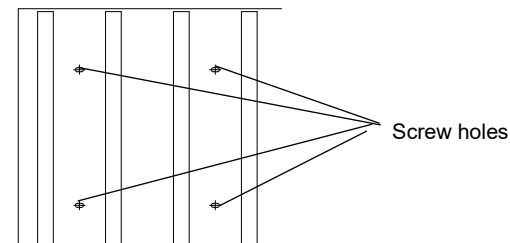
■ Recommended power supply with PWM driver (Option)

Supplier	Product Number	Maximum output capacity	Recommended output capacity *1	Input rating	Output voltage
OSRAM	OT30/100-200/24 DIM P 30W G2	30 W	21W (0.9A)	AC 100-200V	DC24V
maxray	36-71088-99	90 W	63W (2.6A)	AC 100-242V	
	36-71089-99	150 W	105W (4.4A)		

*1 To ensure long-term reliability of the power supply, use it at 70% or less of the maximum output capacity.

Installation Method

- Use the mounting screw holes and the appropriate screws to secure to the mounting surface. (Mounting screws are not included. Prepare M4 screws suitable for the material of the mounting part.)
- Please use within the operating environment temperature range. If it can be taken inside the cover, the temperature inside the cover will be the operating environment temperature.
- Do not bend the product tighter than the minimum bending radius (R300mm). It may cause a malfunction.
- Do not pull the lead wire strongly. It may cause the failure.
- Please contact our sales for custom cutting or stacking to adjust the product size.



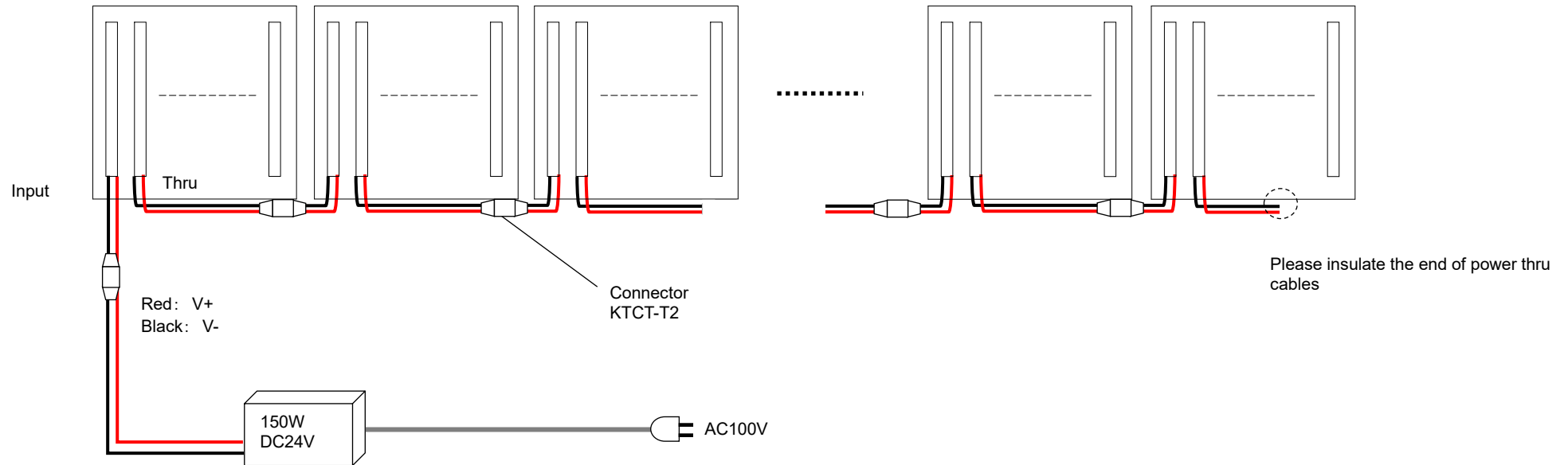
Example of wiring

- The number of products to be connected must meet all of the following conditions.

	Conditions	Contents
1	The number of products to be connected in series must be the "maximum number of products to be connected" shown in the "Product Specifications" or less.	The maximum number of Sheet light V that can be connected is eight. (96W, 4A)
2	The total load capacity, including series connection / parallel connection, must be less than or equal to the "recommended output capacity" of the power supply.	<p>When using 30W power supply, the recommended output capacity of the power supply is 21W (0.9A) ⇒ Only one product can be connected.</p> <p>When using 90W power supply, the recommended output capacity of the power supply is 63W (2.6A) ⇒ Up to 5 products can be connected.</p> <p>When using 150W power supply, the recommended output capacity of the power supply is 105W (4.4A) ⇒ Up to 8 products can be connected.</p>

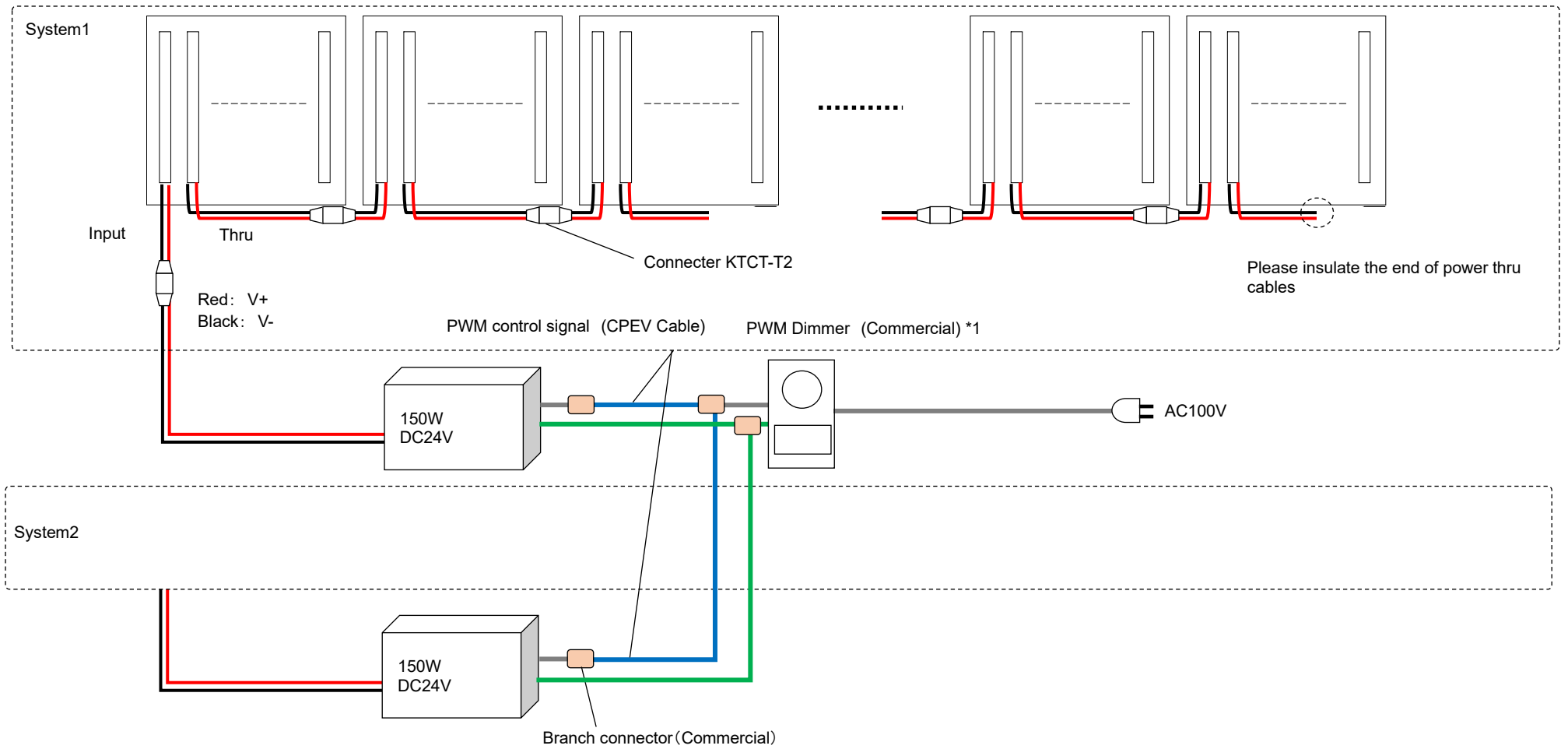
- Please insulate the end of power thru cables.
- Please contact our sales for the types and lengths of wires that can be used.
- When connecting products and power supplies in parallel in multiple systems, make sure that the types and lengths of the wires in each system are the same to prevent differences in brightness and color between the products.

■ Example1: When not using dimmer



- The PWM signal terminals of the power supply is not used. Please insulate them.

■ Example2: When using dimmer



*1 Please contact our sales representative for suitable PWM Dimmer.