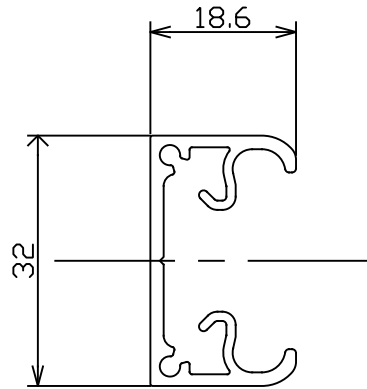
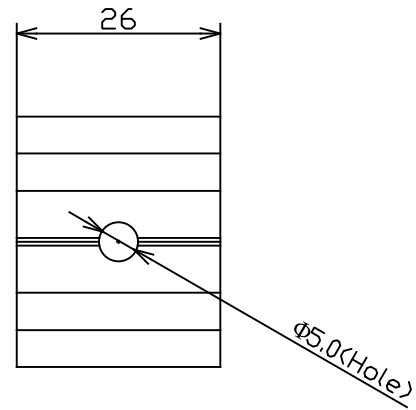


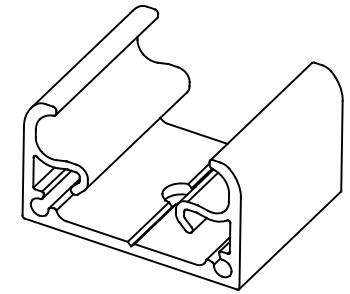
General tolerance	
6 or below	±0.5
6 to 15 or below	±0.6
15 to 30 or below	±0.8
30 to 50 or below	±0.9



Side view (1/1)



Top view (1/1)



3D image

Precautions during construction.:

- Used for installing tape light addressable (TL20ADR) / tape light wide (TL08) on curved surfaces.
This is a fixture dedicated to this lamp. Do not use on other appliances.
- Fasten it securely with screws.
- The minimum bending radius of the lamp fixture bend should be at least R60 mm in the vertical direction of the optical axis.
- When mounting vertically to a wall, use an appropriate L-shaped bracket at the bottom according to the instructions in the instruction manual to prevent the lamp from slipping off.
Be careful not to let the L-shaped bracket bite the lead wire.
- Screws are not included, please prepare commercially available screws according to the installation target.

Recommended examples of screws.

When fixing to a tree: Wood screws (nominal diameter 4.1, round head)

Unit (mm)

1	Aluminum Mounting Bracket (for curvy line)	1	Aluminum
	Parts Name	Quantity	Material / Processing
Specifications			Model Name
RoHS compliant Weight: 10g/pcs 5pcs per pack			Tape light addressable
Scale	Drawn	Reviser	Approved
1 : 2 (A4 Size)	Shiokawa	Sakamoto	Tanimizu
	2025.2.5	2025.3.3	2025.3.3
			Product Name
			Aluminum Mounting Bracket (for curvy line)
			Product No.
			KATA4-HA