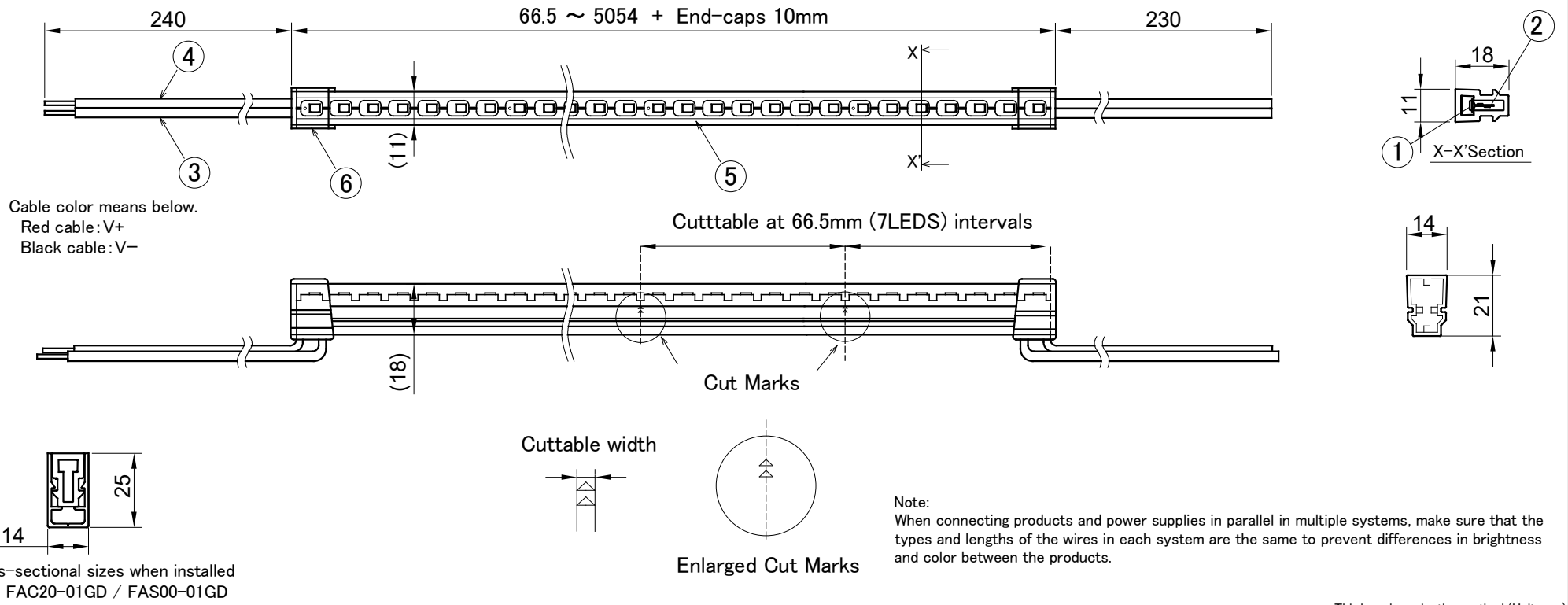


Product Name	Long Silicone Light Indoor V	Scale	1:2 (A4)
--------------	-------------------------------------	-------	-----------------



Third-angle projection method (Unit: mm)

Product Specifications									3D					
Product No.	GMV10-□□K *1								8					
Length	66.5mm ~ 5054mm + End-cap 10mm								7					
Weight	125 g/m								6	End cap	Silicone rubber	translucent		
Input Voltage	DC24V								5	Case	Silicone rubber	transparency		
Power Consumption	8 W/m								4	Lead Wire(V-)	Silicone rubber coating	Black AWG20 (0.5sq)		
Color Temperature	2200K	2500K	2700K	3000K	3500K	4000K	5000K	6500K	3	Lead Wire(V+)	Silicone rubber coating	Red AWG20 (0.5sq)		
Luminous Flux	760lm/m	750lm/m	930lm/m	960lm/m	1000lm/m	1010lm/m	1010lm/m	940lm/m	2	FPC	Polyimide			
Color Rendering Index (Ra)	81	82	82	83	83	84	84	85	1	LED	SMD LED			
Beam Angle	100°								Parts Name			Material	Note	
Operating Temperature	-10 ~ +40°C								Accessories (Option)					
Operating Environment	Indoor only								1	Aluminium channel for straight line (L = 1000 mm) : FAS00-01GD				
Minimum Bending Radius	R60 mm (Horizontal)								2	Aluminium channel for curvy line (L = 1000 mm) : FAC20-01GD		Drawn	Reviser	Approved
Max Unit Connectable	5m (5054mm + End-caps)								3	End cap : EC111-01 (5pcs per pack)		Yamaguchi		Yamaguchi
Note	*1 "□□" means the first two digits of the color temperature.								4	Lead Wire(V-) : WR0.5B-250-01 (5pcs per pack)				
									5	Lead Wire(V+) : WR0.5R-250-01 (5pcs per pack)				

