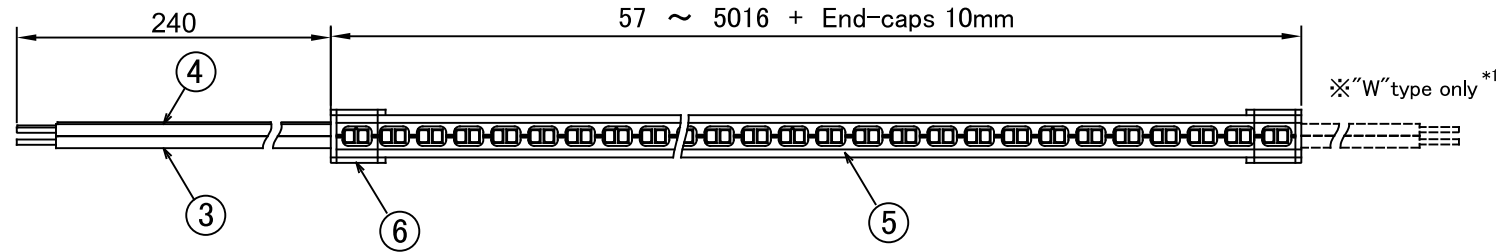
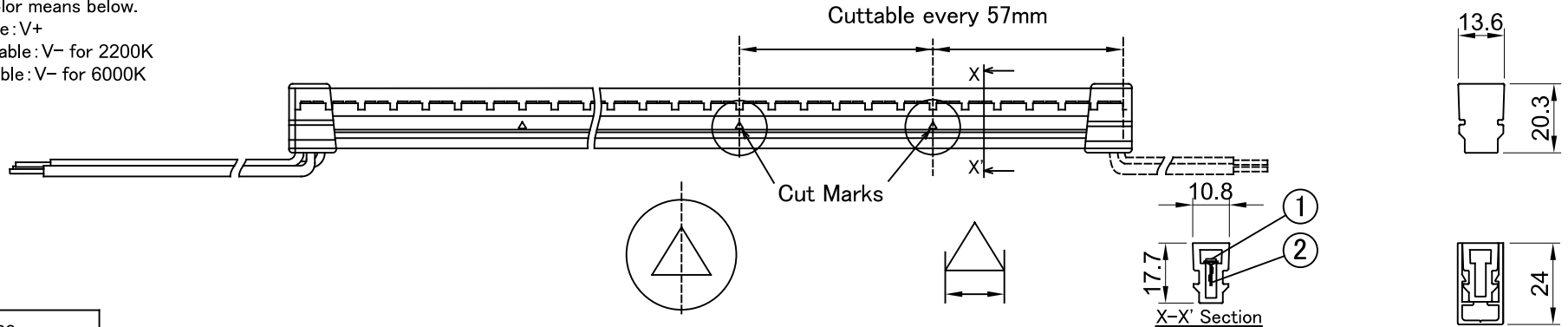


Product Name	<b>Long Silicone Light Duo Indoor (Tunable White)</b>	Scale	<b>1:2 (A4)</b>
--------------	-------------------------------------------------------	-------	-----------------



Cable color means below.  
 Red cable: V+  
 Yellow cable: V- for 2200K  
 White cable: V- for 6000K



Cross-sectional sizes when installed with FAC20-01GD / FAS00-01GD

General tolerance
Cross-sectional direction
6 or below: ±1.0
6 to 15 or below: ±1.2
15 to 30 or below: ±1.6
30 to 50 or below: ±2.0

Tolerance values are based on 25 °C.

Length(m)	~1	~3	~5
Tolerance(mm)	+15 ~ -11	+15 ~ -16	+15 ~ -20

Note:  
 When connecting products and power supplies in parallel in multiple systems, make sure that the types and lengths of the wires in each system are the same to prevent differences in brightness and color between the products.

(Unit: mm)

Product Specifications		3D		
Product No.	GM-TU	8		
Length	57mm ~ 5016mm + End-caps 10mm	7		
Weight	135g/m	6	End cap	Silicone rubber Translucent
Input Voltage	DC24V	5	Case	Silicone rubber Translucent
Power Consumption	Max. 17W/m (2200K only: 8.5W/m, 6000K only: 8.5W/m)	4	Lead wire (V-)	Silicone rubber coating Yellow, White, AWG20 (0.5 sq)
Color Temperature	2200K ~ 6000K	3	Lead wire (V+)	Silicone rubber coating Red, AWG20 (0.5 sq)
Luminous Flux	Max. 1520lm/m (2200K only: 690lm/m, 6000K only: 880lm/m)	2	LED	SMD LED
Color Rendering Index (Ra)	81 ~ 89	1	FPC	Polyimide
Beam Angle	100°			
Ambient temperature and humidity	-10°C ~ 40°C, 45 ~ 85% RH			
Environment	Indoor only			
Bending Radius	R60 mm horizontal			
Max unit Connectable	5m (5016mm + End-caps)			
Note	*1 "(Standard)" type : Lead wires at one end. "W" type : Lead wires at both ends.			



Parts Name	Material	Note
Parts List		
1	Aluminum channel for straight line (L=1000 mm) : FAS00-01GD	
2	Aluminum channel for curvy line (L=1000 mm) : FAC20-01GD	
3	End cap : EC111-01	

Drawn	Reviser	Approved
Shiokawa	Tomitaka	Tanimizu
2024.6.25	2025.09.04	2025.09.04