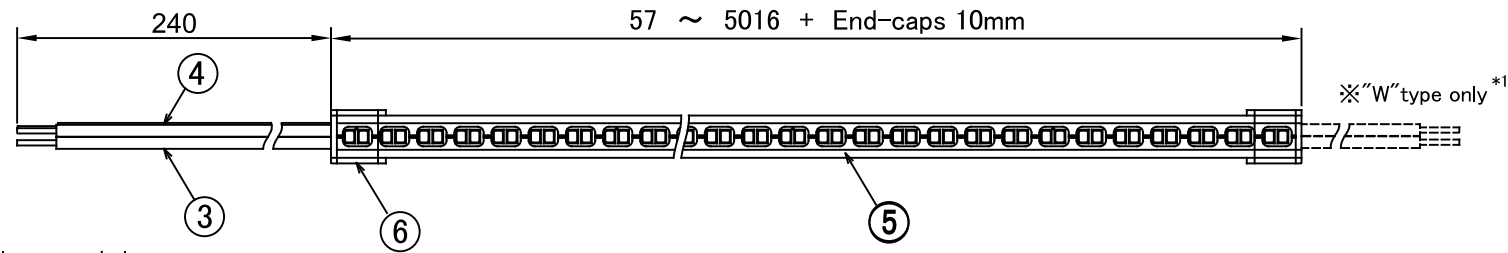
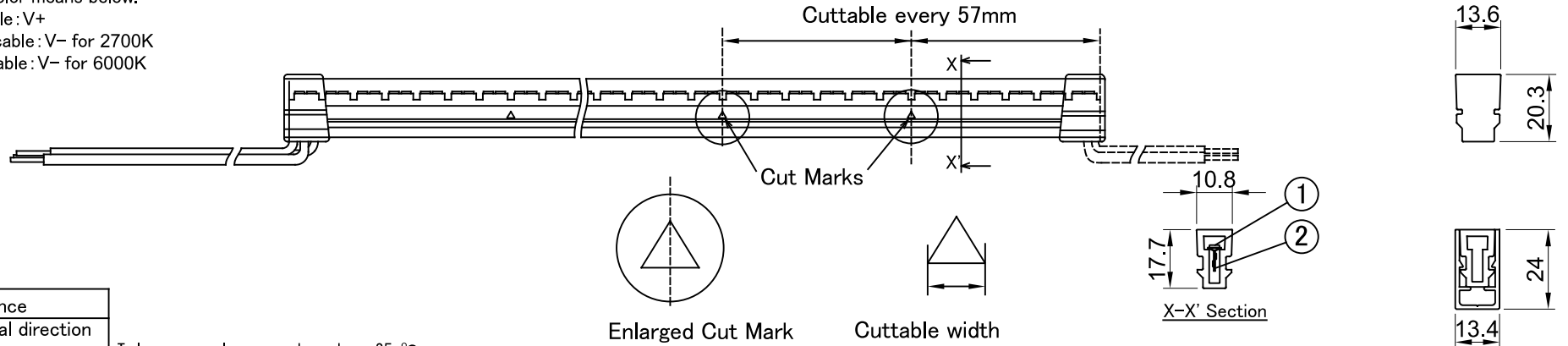


Product Name	Long Silicone Light Duo Indoor (Tunable White) Ultra-High Color Rendering Index Type	Scale	1:2 (A4)
--------------	---	-------	-----------------



Cable color means below.
 Red cable: V+
 Yellow cable: V- for 2700K
 White cable: V- for 6000K



General tolerance
Cross-sectional direction
6 or below: ±1.0
6 to 15 or below: ±1.2
15 to 30 or below: ±1.6
30 to 50 or below: ±2.0

Tolerance values are based on 25 °C.

Length(m)	~1	~3	~5
Tolerance(mm)	+15 ~ -11	+15 ~ -16	+15 ~ -20

Note:
 When connecting products and power supplies in parallel in multiple systems, make sure that the types and lengths of the wires in each system are the same to prevent differences in brightness and color between the products.

(Unit: mm)

Product Specifications		3D		
Product No.	GM-TU-S97	8		
Length	57mm ~ 5016mm + End-caps 10mm	7		
Weight	135g/m	6	End cap	Silicone rubber Translucent
Input Voltage	DC24V	5	Case	Silicone rubber Translucent
Power Consumption	Max. 17W/m (2700K only: 8.5W/m, 6000K only: 8.5W/m)	4	Lead wire (V-)	Silicone rubber coating Yellow, White, AWG20 (0.5 sq)
Color Temperature	2700K ~ 6000K	3	Lead wire (V+)	Silicone rubber coating Red, AWG20 (0.5 sq)
Luminous Flux	Max. 1120lm/m (2700K only: 570lm/m, 6000K only: 600lm/m)	2	LED	SMD LED
Color Rendering Index (Ra)	94 ~ 97	1	FPC	Polyimide
Beam Angle	100°			
Ambient temperature and humidity	-10°C ~ 40°C, 45 ~ 85% RH			
Environment	Indoor only			
Bending Radius	R60 mm horizontal			
Max unit Connectable	5m (5016mm + End-caps)			
Note	*1 "(Standard)" type : Lead wires at one end. "W" type : Lead wires at both ends.			

Parts List		
Parts Name	Material	Note
1 Aluminum channel for straight line (L=1000 mm) : FAC20-01GD		
2 Aluminum channel for curvy line (L=1000 mm) : FAC20-01GD		
3 End cap : EC111-01		
4		
5		

Drawn	Reviser	Approved
Shiokawa	Tomitaka	Tanimizu
2024.6.25	2025.08.28	2025.08.28

Please note that the contents described above may be changed without any advance notice.