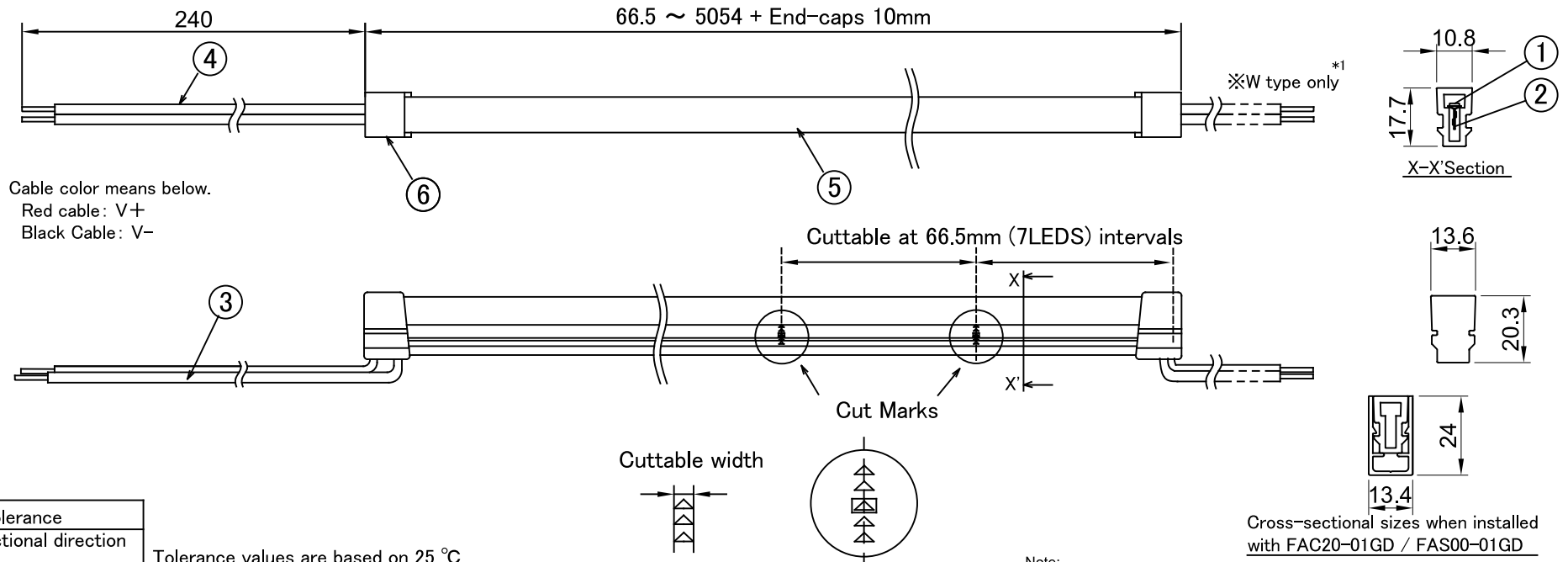


Product Name	LONG SILICONE LIGHT (GL-□□K)	Scale	1:2 (A4)
--------------	-------------------------------------	-------	-----------------



Cable color means below.
 Red cable: V+
 Black Cable: V-

Note:
 When connecting products and power supplies in parallel in multiple systems, make sure that the types and lengths of the wires in each system are the same to prevent differences in brightness and color between the products.

(Unit: mm)

General tolerance				
Cross-sectional direction				
6 or below: ±1.0				
6 to 15 or below: ±1.2				
15 to 30 or below: ±1.6				
30 to 50 or below: ±2.0				
Tolerance values are based on 25 °C.				
Length(m)	~1	~3	~5	
Tolerance(mm)	+10 ~ -11	+10 ~ -16	+10 ~ -20	

Product Specifications										8	
Product No.	GL-□□K, GL-□□KW *1 *2					GL-□, GL-□W *1 *3					7
Length	66.5 mm ~ 5054 mm + End-caps 10mm					66.5 mm ~ 5054 mm + End-caps 10mm					6
Weight	180g/m					180g/m					5
Input Voitage	DC24V					DC24V					4
Power Consumption	10W/m (2200K only : 8W/m)					Red: 8W/m Blue: 10W/m					3
Color Temperature	2200K	2500K	2800K	3000K	3500K	4000K	5000K	Red	Blue	2	
Luminous Flux	590 lm/m	650 lm/m	700 lm/m	740 lm/m	850 lm/m	850 lm/m	870 lm/m	240 lm/m	160 lm/m	1	
Beam Angle	120°										
Ambient temperature and humidity	-10°C ~ 55°C , 45 ~ 85% RH										
Operating Environment	Indoor / Outdoor (IP67 rated)										
Minimum Bending Radius	R60 mm (Horizontal)										
Max Unit Connectable	10.1m (5054mm x 2 + End-caps)										
Note	*1 "(Standard)" type : Lead wires at one end. "W" type : Lead wires at both ends.										
	*2 "□□" means the first two digits of the color temperature.										
	*3 "□" means the first letter of the color. R: Red, B: Blue.										

Parts Name	Material	Note
End cap	Silicone rubber	Translucent
Case	Silicone rubber	Translucent
Lead Wire(V-)	Silicone rubber coating	Black AWG20 (0.5sq)
Lead Wire(V+)	Silicone rubber coating	Red AWG20 (0.5sq)
FPC	Polyimide	
LED	SMD LED	
Accessories (Option)		
1	Aluminum channel for straight line (L = 1000 mm) : FAS00-01GD	
2	Aluminum channel for curvy line (L = 1000 mm) : FAC20-01GD	
3	End cap : EC111-01	

3D		
Drawn	Reviser	Approved
Hashimoto	Tomitaka	Tanimizu
2021.09.02	2025.09.02	2025.09.02

Please note that the contents described above may be changed without any advance notice.