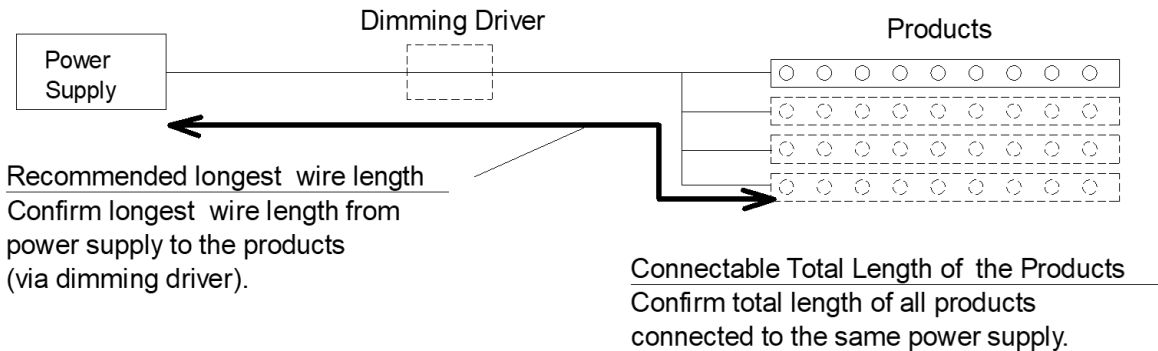


Length of the Products and Wires

Product	GLS/GLSD(White)
----------------	------------------------

Power consumption: 10W/m



Connectable Total Length of the Products. (When use HLG power supply)

- Please use the power supply at 70% output, for the long term reliability.
- If total length of the products exceed "Maximum series connectios length", connect them in parallel.

Power supply	Rated output	Recommended output	Connectable Length
HLG-60H-24	60.0 W	42.0 W	4.2 m
HLG-100H-24	96.0 W	67.0 W	6.7 m
HLG-150H-24	150.0 W	105.0 W	10.5 m
HLG-240H-24	240.0 W	168.0 W	16.8 m
HLG-320H-24	320.0 W	224.0 W	22.4 m
-	-	-	-
-	-	-	-

Recommended longest wire length from power supply to the products

- If the wiring exceeds the following length, brightness reduction may be conspicuous.
- When using multiple products, wiring to each products should be the same length.

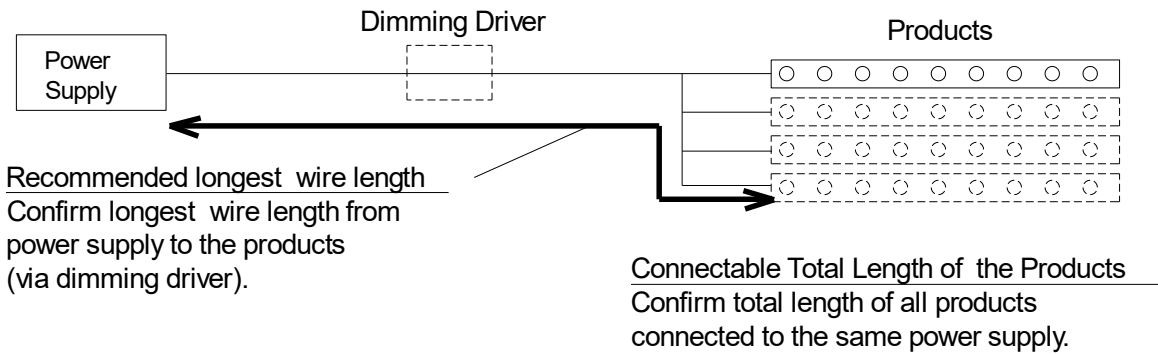
Cable Cores: 2C		VCTF/Twisted wire (mm ²)			VVF/Single Wire (φmm)		
Product Length	Power consumption	0.75sq/2C	1.25sq/2C	2sq/2C	1.6mm/2C	2mm/2C	2.6mm/2C
0.5 m	5.0 W	51 m	84 m	135 m	135 m	212 m	358 m
1.0 m	10.0 W	25 m	42 m	67 m	68 m	106 m	179 m
1.5 m	15.0 W	17 m	28 m	45 m	45 m	71 m	119 m
2.0 m	20.0 W	13 m	21 m	34 m	34 m	53 m	89 m
2.5 m	25.0 W	10 m	17 m	27 m	27 m	42 m	72 m
3.0 m	30.0 W	8 m	14 m	22 m	23 m	35 m	60 m
3.5 m	35.0 W	7 m	12 m	19 m	19 m	30 m	51 m
4.0 m	40.0 W	6 m	11 m	17 m	17 m	26 m	45 m
4.5 m	45.0 W	6 m	9 m	15 m	15 m	24 m	40 m
5.0 m	50.0 W	5 m	8 m	13 m	14 m	21 m	36 m
5.5 m	55.0 W	5 m	8 m	12 m	12 m	19 m	33 m
6.0 m	60.0 W	4 m	7 m	11 m	11 m	18 m	30 m
6.5 m	65.0 W	4 m	6 m	10 m	10 m	16 m	28 m
7.0 m	70.0 W	4 m	6 m	10 m	10 m	15 m	26 m
7.5 m	75.0 W	3 m	6 m	9 m	9 m	14 m	24 m
8.0 m	80.0 W	3 m	5 m	8 m	8 m	13 m	22 m
8.5 m	85.0 W	3 m	5 m	8 m	8 m	12 m	21 m
9.0 m	90.0 W	3 m	5 m	7 m	8 m	12 m	20 m
9.5 m	95.0 W	3 m	4 m	7 m	7 m	11 m	19 m
10.0 m	100.0 W	3 m	4 m	7 m	7 m	11 m	18 m

Above are approximate values.

Length of the Products and Wires

Product	GLS/GLSD(Blue_Red)
----------------	---------------------------

Power consumption: 9W/m



Connectable Total Length of the Products. (When use HLG power supply)

- Please use the power supply at 70% output, for the long term reliability.
- If total length of the products exceed "Maximum series connectios length", connect them in parallel.

Power supply	Rated output	Recommended output	Connectable Length
HLG-60H-24	60.0 W	42.0 W	4.6 m
HLG-100H-24	96.0 W	67.0 W	7.4 m
HLG-150H-24	150.0 W	105.0 W	11.6 m
HLG-240H-24	240.0 W	168.0 W	18.6 m
HLG-320H-24	320.0 W	224.0 W	24.8 m
-	-	-	-
-	-	-	-

Recommended longest wire length from power supply to the products

- If the wiring exceeds the following length, brightness reduction may be conspicuous.
- When using multiple products, wiring to each products should be the same length.

Cable Cores: 2C		VCTF/Twisted wire (mm ²)			VVF/Single Wire (φmm)		
Product Length	Power consumption	0.75sq/2C	1.25sq/2C	2sq/2C	1.6mm/2C	2mm/2C	2.6mm/2C
0.5 m	4.5 W	56 m	94 m	150 m	151 m	235 m	397 m
1.0 m	9.0 W	28 m	47 m	75 m	75 m	118 m	199 m
1.5 m	13.5 W	19 m	31 m	50 m	50 m	78 m	132 m
2.0 m	18.0 W	14 m	23 m	37 m	38 m	59 m	99 m
2.5 m	22.5 W	11 m	19 m	30 m	30 m	47 m	79 m
3.0 m	27.0 W	9 m	16 m	25 m	25 m	39 m	66 m
3.5 m	31.5 W	8 m	13 m	21 m	22 m	34 m	57 m
4.0 m	36.0 W	7 m	12 m	19 m	19 m	29 m	50 m
4.5 m	40.5 W	6 m	10 m	17 m	17 m	26 m	44 m
5.0 m	45.0 W	6 m	9 m	15 m	15 m	24 m	40 m
5.5 m	49.5 W	5 m	9 m	14 m	14 m	21 m	36 m
6.0 m	54.0 W	5 m	8 m	12 m	13 m	20 m	33 m
6.5 m	58.5 W	4 m	7 m	12 m	12 m	18 m	31 m
7.0 m	63.0 W	4 m	7 m	11 m	11 m	17 m	28 m
7.5 m	67.5 W	4 m	6 m	10 m	10 m	16 m	26 m
8.0 m	72.0 W	4 m	6 m	9 m	9 m	15 m	25 m
8.5 m	76.5 W	3 m	6 m	9 m	9 m	14 m	23 m
9.0 m	81.0 W	3 m	5 m	8 m	8 m	13 m	22 m
9.5 m	85.5 W	3 m	5 m	8 m	8 m	12 m	21 m
10.0 m	90.0 W	3 m	5 m	7 m	8 m	12 m	20 m

Above are approximate values.