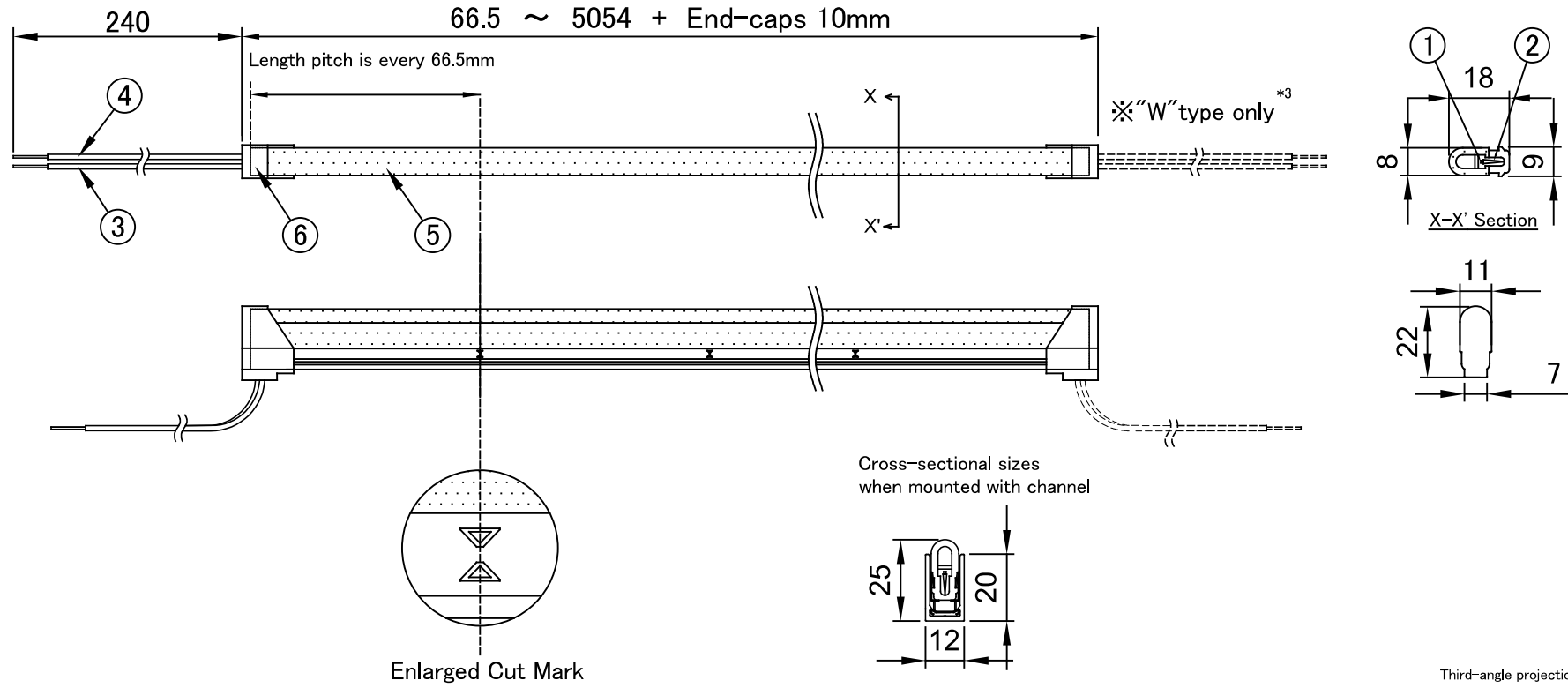


Product Name	<b>Tsubaki Seamless Light Mini Type H</b>	Scale	<b>1:2 (A4)</b>
--------------	-------------------------------------------	-------	-----------------



Third-angle projection method (Unit : mm)

Product Specifications										8			3D								
Product No.	2500K~6000K: GLSD-□□K *1 ("W" type: GLSD-□□KW)					Mono Color: GLSD-□ *2 ("W" type: GLSD-□W)					7										
Length	66.5mm ~ 5054mm + End-caps 10mm (tolerance +4 ~ -35mm)									6	End Cap	Silicone rubber	Translucent								
Weight	130g/m									5	Case	Silicone rubber	Milky White								
Input Voltage	DC24V									4	Lead Wire (V-)	Silicone rubber coating	Black, 0.2sq								
Power Consumption	10W/m					9W/m					3	Lead Wire (V+)	Silicone rubber coating				Red, 0.2sq				
Color Temperature	2500K	2800K	3000K	3500K	4000K	5000K	6000K	RED	BLUE	2	FPC	Polyimide	Flexible Printed Circuits								
Luminous Flux	570lm/m	550lm/m	410lm/m	450lm/m	430lm/m	460lm/m	430lm/m	30lm/m	80lm/m	1	LED	SMD LED									
Beam Angle	160°									Parts Name			Material				Note				
Operating Temperature	-10 ~ 55°C									Accessories (Option)											
Environment	Indoor / Outdoor (IP67 rated)									1	Aluminum Rigid Channel (Length=1000mm for straight line installations) : FAS00-01GS						Drawn	Reviser	Approved		
Bending Radius	60mm (Horizontal)									2	Aluminum Flexible Channel (Length=1000mm for flexible line installations) : FAC15-01GS			Yamaguchi	Yamaguchi	Yamaguchi					
Max Unit Connectable	10.1m (5054mm × 2 + End-caps)									3	Fixing Holder (5 pcs per pack. *For additional options.) : FAGS-HA										
Note	*1 "□□" means the first two digits of the color temperature of the product. *2 "□□" means the "R" : RED, "B" : BLUE. *3 "(Standard)" type : Lead wires at one end. "W" type : Lead wires at both ends.									4							2020.12.4	2024.3.15	2024.3.15		
										5											

Please note that content described above may be changed without any advance notice

Atex Co.,Ltd

Ver 240315