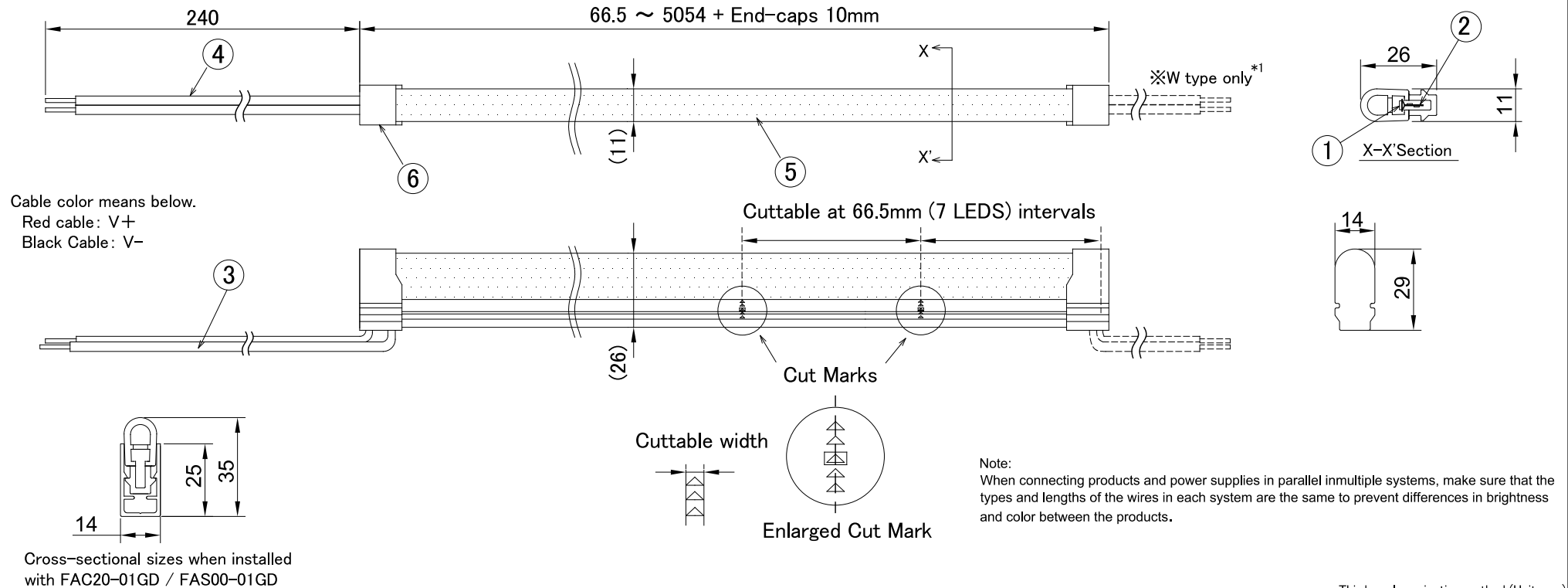


Product Name	TSUBAKI SEAMLESS LIGHT TYPE H (GLD-□□K)	Scale	1:2 (A4)



Third-angle projection method (Unit: mm)

Product Specifications			8				3D																	
Product No.	GLD-□□K, GLD-□□KW *1 *2	GLD-□, GLD-□W *1 *3	7																					
Length	66.5mm ~ 5054mm + End-caps 10mm	66.5mm ~ 5054mm + End-caps 10mm	6	End cap	Silicone rubber	Translucent																		
Weight	250g/m	250g/m	5	Case	Silicone rubber	Milky White																		
Input Voitage	DC24V	DC24V	4	Lead Wire(V-)	Silicone rubber coating	Black AWG20 (0.5sq)																		
Power Consumption	10W/m (2200K only : 8W/m)	GLD-R: 8W/m GLD-B: 10W/m	3	Lead Wire(V+)	Silicone rubber coating	Red AWG20 (0.5sq)																		
Color Temperature	2200K: 440 lm/m, 2500K: 560lm/m, 2800K: 570lm/m, 3000K: 590lm/m		2	FPC	Polyimide																			
Luminous Flux	3500K: 730lm/m, 4000K: 750lm/m, 5000K: 690lm/m, Red: 210lm/m, Blue: 110lm/m		1	LED	SMD LED																			
Beam Angle	205°		<table border="1"> <thead> <tr> <th>Parts Name</th> <th>Material</th> <th>Note</th> </tr> </thead> <tbody> <tr> <td colspan="3" style="text-align: center;">Accessories (Option)</td> </tr> <tr> <td>1 Aluminum channel for straight line (L = 1000 mm) : FAS00-01GD</td> <td></td> <td></td> </tr> <tr> <td>2 Aluminum channel for curvy line (L = 1000 mm) : FAC20-01GD</td> <td></td> <td></td> </tr> <tr> <td>3 End cap : EC109-01</td> <td></td> <td></td> </tr> </tbody> </table>							Parts Name	Material	Note	Accessories (Option)			1 Aluminum channel for straight line (L = 1000 mm) : FAS00-01GD			2 Aluminum channel for curvy line (L = 1000 mm) : FAC20-01GD			3 End cap : EC109-01		
Parts Name	Material	Note																						
Accessories (Option)																								
1 Aluminum channel for straight line (L = 1000 mm) : FAS00-01GD																								
2 Aluminum channel for curvy line (L = 1000 mm) : FAC20-01GD																								
3 End cap : EC109-01																								
Operating Temperature	-10 ~ 55°C																							
Operating Environment	Indoor / Outdoor (IP67 rated)																							
Minimum Bending Radius	R60 mm (Horizontal)																							
Max Unit Connectable	10.1m (5054mm x 2 + End-caps)					Design	Reviser	Approve																
Note	*1 "(Standard)" type : Lead wires at one end. "W" type : Lead wires at both ends.					Hashimoto	Shiokawa	Yamaguchi																
	*2 "□□" means the first two digits of the color temperature.																							
	*3 "□" means the first letter of the color. R: Red, B: Blue.																							
			5				2021.09.02	2023.03.20	2023.03.20															

Please note that the contents described above may be changed without any advance notice.

Atex Co.,Ltd.

Ver 230320