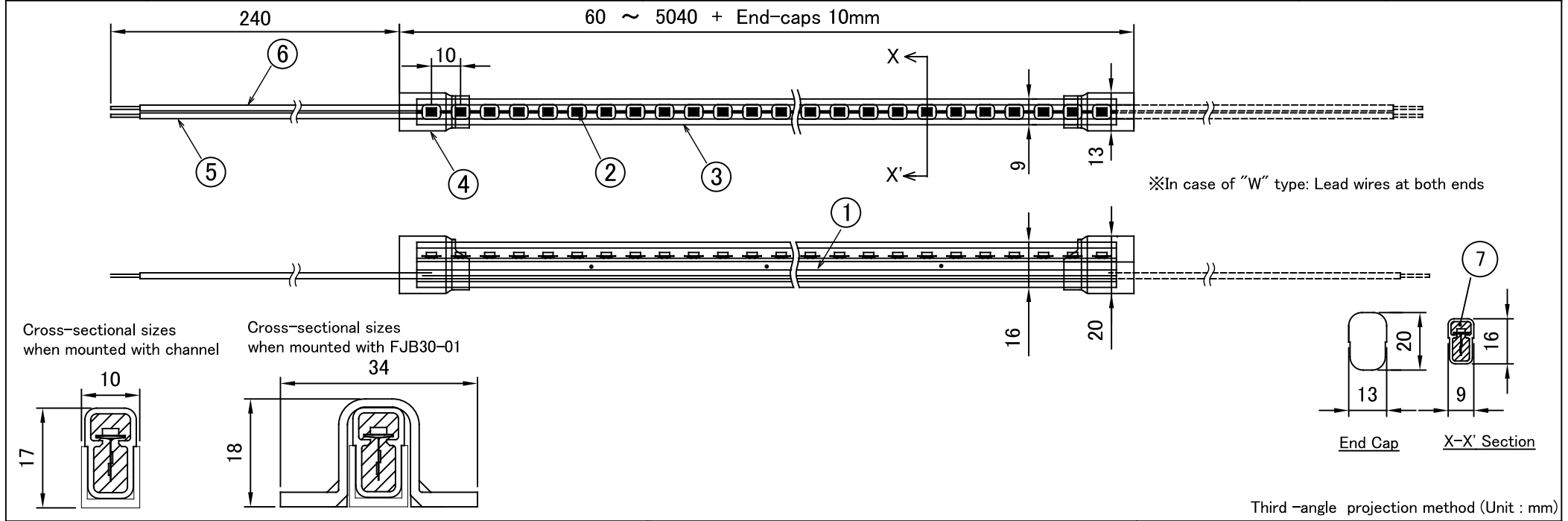
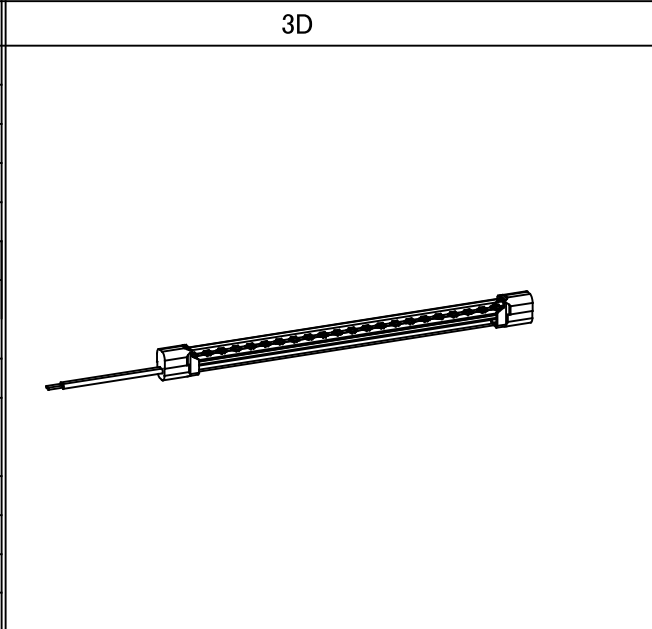


Product Name	Long Silicone Light (10mm pitch)	GL10-96A1□□K	Scale	1: 2 (A4)
--------------	----------------------------------	--------------	-------	-----------



Product Specifications							
Product No.	GL10-96A1□□K ("W" type: GL10-96A1□□KW)						
Length	60 ~ 5040 + End-caps 10mm			Weight	160g/m		
Cutting points	60mm (6 LED) *Customized length order available						
Input Voltage	DC24V. Power Consumption: 11W/m (2200K • Red: 9W/m)						
Color Temperature	22:2200K	25:2500K	28:2800K	30:3000K	35:3500K	40:4000K	50:5000K
Luminous Flux	660 lm/m	750 lm/m	810 lm/m	840 lm/m	950 lm/m	990 lm/m	960 lm/m
	RX: RED	BX: BLUE					
	300 lm/m	430 lm/m					
Beam Angle	120°						
Environment	Operating Temperature: -10 ~ 55°C. IP67 rated. Water and dust resistant. Product should not reside in standing water.						
Bending Radius	30mm horizontal						
Max units connectable	10.1m (5040mm × 2 + End-caps)						
Note	"(Standard)" type : Lead wires at one end.						
	"W" type : Lead wires at both ends.						



Accessories			
1	AL Rigid Channel Length=1000mm for straight line installations. FAS00-01S		
2	AL Flexible Channel Length=1000mm for Flexible line installations. FAC10-01S		
3	Fixing Material 4 pieces per meter. FJB30-01		
7	Insert	Silicone	
6	Lead wire Black(V-)	Silicone rubber coating	
5	Lead wire Red(V+)	Silicone rubber coating	
4	End Cap	Silicone rubber	
3	Case	Silicone rubber	
2	LED	SMD LED	
1	FPC		
Parts List		Note	
Design	Reviser	Drawing Check	Approval
Okamoto	Shiokawa	Yanase	Yamaguchi
Oct 22 '12	Mar 14 '23	Mar 14 '23	Mar 14 '23

Please note that content described above may be changed without any advance notice.

Atex Co., Ltd.

Ver 230314