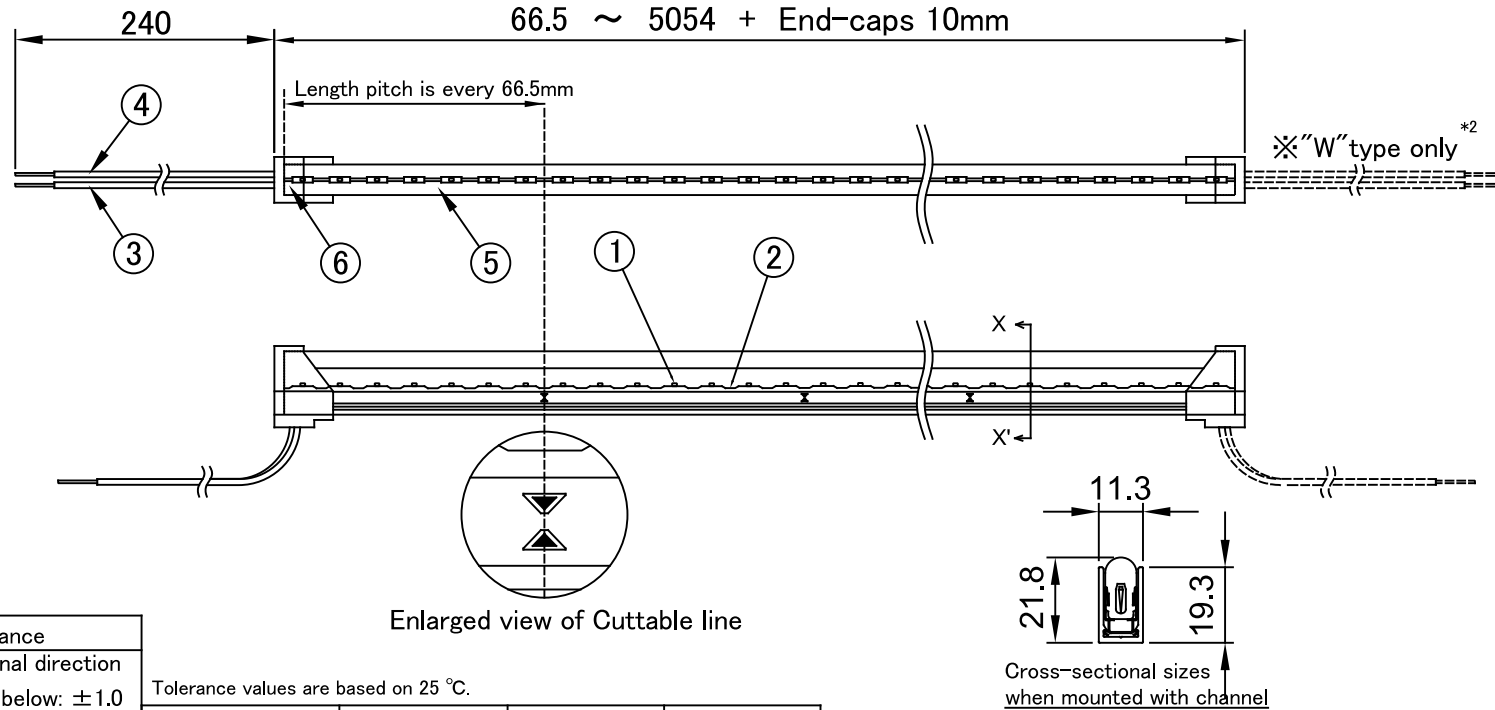


Product Name	Long Silicone Light Mini	Scale	1:2 (A4)
--------------	---------------------------------	-------	-----------------



General tolerance
Cross-sectional direction
6 or below: ±1.0
6 to 15 or below: ±1.2
15 to 30 or below: ±1.6
30 to 50 or below: ±2.0

Tolerance values are based on 25 °C.

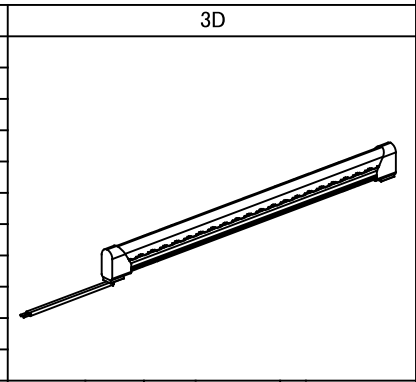
Length(m)	~1	~3	~5
Tolerance(mm)	+10 ~ -11	+10 ~ -16	+10 ~ -20

(Unit: mm)

Product Specifications				
Product No.	GL09-05A□□KH *1 ("W" type: GL09-05A□□KHW)			
Length	66.5mm ~ 5054mm + End-caps 10mm			
Weight	150g/m			
Input Voltage	DC24V			
Power Consumption	10W/m			
Color Temperature	3000K	3500K	4000K	5000K
Luminous Flux	680lm/m	760lm/m	760lm/m	850lm/m
Beam Angle	20°			
Ambient temperature and humidity	-10°C - 55°C , 45 - 85% RH			
Environment	Indoor / Outdoor (IP67 rated)			
Bending Radius	60mm vertical			
Max Unit Connectable	10.1m (5054mm × 2 + End-caps)			
Note	*1 "□□" means the first two digits of the color temperature of the product.			
	*2 "(Standard)" type : Lead wires at one end. "W" type : Lead wires at both ends.			

Parts Name	Material	Note
8		
7		
6	End Cap	Silicone rubber
5	Case	Silicone rubber
4	Lead Wire (V-)	Silicone rubber coating
3	Lead Wire (V+)	Silicone rubber coating
2	FPC	Polyimide
1	LED	SMD LED

Accessories (Option)		
1	Aluminum Rigid Channel (Length=1000mm for straight line installations) : FAS00-01GS	
2	Aluminum Flexible Channel (Length=1000mm for flexible line installations) : FAC15-01GS	
3	Fixing Holder (5 pcs per pack. *For additional options.) : FAGS-HA	
4		
5		



Drawn	Reviser	Approved
Yamaguchi	Tomitaka	Tanimizu
2020.12.4	2025.09.17	2025.09.17