

LONG SILICONE LIGHT

WHITE LEDS / MONO COLOR LEDS



KEY FEATURES AND BENEFITS

- **IP67 Rated flexible LED Strip with Side-Bend**
- **9 color variation**
- **Customizable 76 different lengths**
- **Patented Unique Design Structure**
- **Uniformed brightness with Copper wires**
- **LEDs sealed by Silicone**
- **Installation** : See ACCESSORIES for options on straight and flexible mounting channels.
- **Environment** : Exterior. IP67 rated. Water and dust resistant. Proper drainage required. Product should not reside in standing water. Not for use as a submersible light source.
- **Power and Control** : DMX-512, DALI on/off, and dimming control options. Contact factory for more information.

ORDERING

PRODUCT No.

GL	-	25K	
1		2	3
PRODUCT		LED COLOR	LEAD WIRES

LENGTH

1007.5
4
LENGTH

1	PRODUCT
	GL Long Silicone Light
2	LED COLOR
	22K 2200K
	25K 2500K
	28K 2800K
	30K 3000K
	35K 3500K
	40K 4000K
	50K 5000K
	R RED
	B BLUE

3	LEAD WIRES
	- Lead wires at one end.
	W Lead wires at both ends.

4	LENGTH
	See length ordering guide.

PRODUCT SPECIFICATIONS

LEDS	105/m
LED PITCH	9.5mm
2200K	590 lm/m
2500K	650 lm/m
2800K	700 lm/m
3000K	740 lm/m
3500K	850 lm/m
4000K	850 lm/m
5000K	870 lm/m
RED	240 lm/m
BLUE	160 lm/m
INPUT	24VDC
WATTS	10 W/m (2200K and RED : 8 W/m)
WIDTH ¹	11 mm
HEIGHT ¹	18 mm
LENGTH ²	76.5 mm ~ 5064 mm
WEIGHT	180 g (6.3 oz) per meter
BEAM ANGLE	120°
TRIM POINTS	Every 66.5 mm
Max Unit Connectable	10.1 m (5064 x 2)
Bending Radius	60 mm horizontal
Operating Temperature	-10° to 55° C

¹ End cap is 14 x 21mm.
² Standard. See LENGTH ORDERING GUIDE.

PRODUCT No.

Standard	"W" Type ¹	LED COLOR
GL-22K	GL-22KW	2200K
GL-25K	GL-25KW	2500K
GL-28K	GL-28KW	2800K
GL-30K	GL-30KW	3000K
GL-35K	GL-35KW	3500K
GL-40K	GL-40KW	4000K
GL-50K	GL-50KW	5000K
GL-R	GL-RW	RED
GL-B	GL-BW	BLUE

¹Lead wires at both ends" Type

LONG SILICONE LIGHT

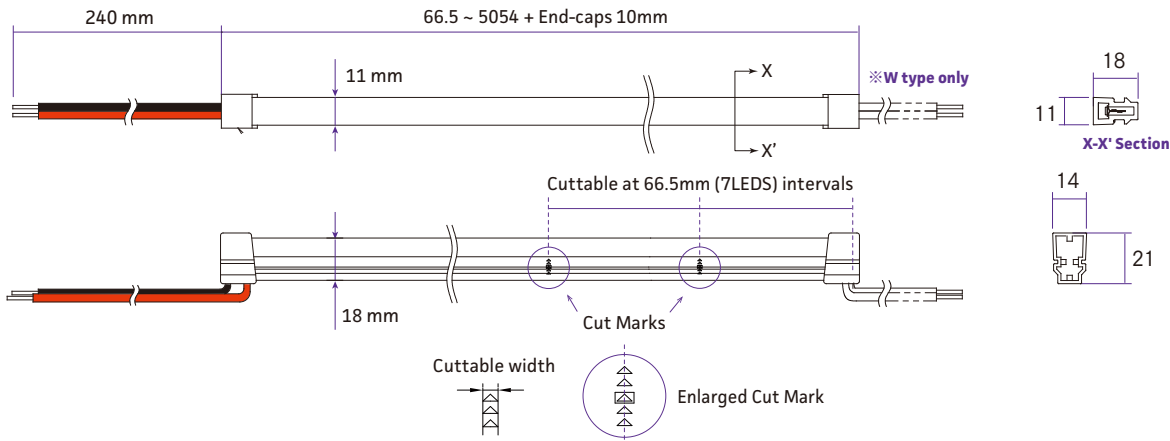
WHITE LEDS / MONO COLOR LEDS

LENGTH ORDER CODE GUIDE (LENGTHS INCLUDE END CAPS.)

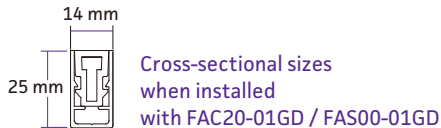
WHITE LED GL OUTPUT MODELS

76.5	741.5	1406.5	2071.5	2736.5	3401.5	4066.5	4731.5
143	808	1473	2138	2803	3468	4133	4798
209.5	874.5	1539.5	2204.5	2869.5	3534.5	4199.5	4864.5
276	941	1606	2271	2936	3601	4266	4931
342.5	1007.5	1672.5	2337.5	3002.5	3667.5	4332.5	4997.5
409	1074	1739	2404	3069	3734	4399	5064
475.5	1140.5	1805.5	2470.5	3135.5	3800.5	4465.5	
542	1207	1872	2537	3202	3867	4532	
608.5	1273.5	1938.5	2603.5	3268.5	3933.5	4598.5	
675	1340	2005	2670	3335	4000	4665	

DIMENSIONS



Cross-sectional sizes with accessories



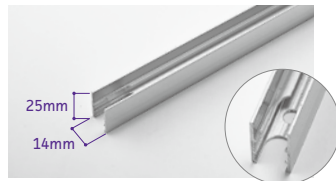
Note:

When connecting products and power supplies in parallel in multiple systems, make sure that the types and lengths of the wires in each system are the same to prevent differences in brightness and color between the products.

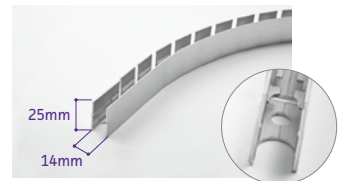
ACCESSORIES ¹

ALUMINUM CHANNELS

- FAS00-01GD**
Rigid channel for straight line installations.
Weight : 200g



- FAC20-01GD**
Flexible channel for curvy line installations.
Weight : 180g
W x H x L : 14 x 25 x 1000 mm



¹ Select one method for installation. These accessories are not used together. See INSTALLATION.