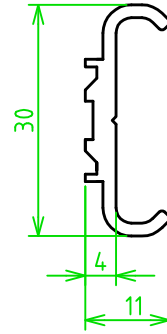


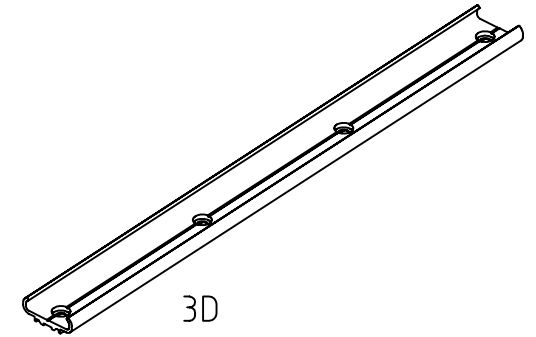
Dimensional tolerance:

±1 (Except for Longitudinal direction)

±5 (Longitudinal direction)

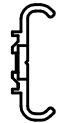


X-X'(1/1)

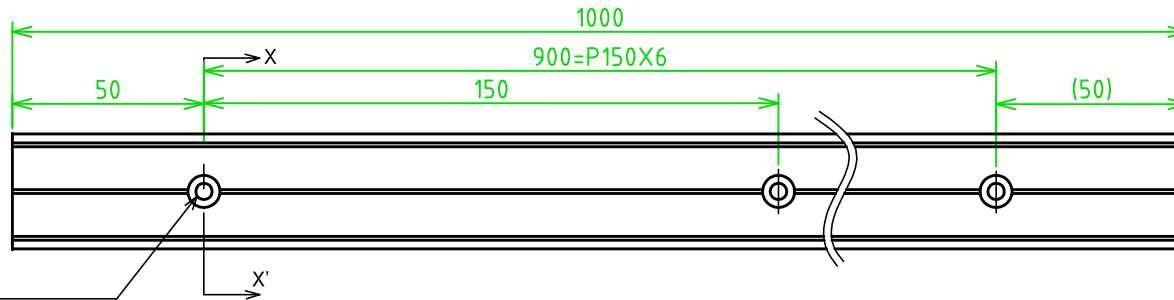


3D

(W x H x L: 30 x 11 x 1000)



X-X'



Screw hole: 7-Φ5

4.1 Round head screw

Installation for the light product

•Please mount FJS00-TW using screw in the screw hole to properly secure it.

For vertical light appliance installation

•Please attach FJS00-TW with L bracket near the end of the light product in order to prevent displacement.

Note

Screws are not included with the Channel

Polycarbonate						
Material/Dimensions					Quantity	Treatment / Processing
Remarks						Model
						Tape Light Wide
Scale						Product Name
1:2						Polycarbonate Rigid Channel
A4						Product Number
Design		Drawing	Drawing Check	Approval	FJS00-TW	
Sakamoto		Sakamoto		Kimori		
Jun6, 2016		Jun6, 2016		Jun6, 2016		