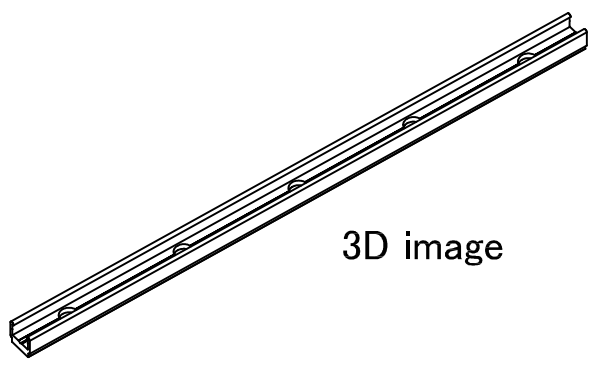


A-A' Section



3D image

Note
Screws are not provided. please prepare by yourself

Third-angle projection method (Unit : mm)

1		Polycarbonate Rigid Channel		1		Polycarbonate (clear)	
Parts List				Quantity		Material / Processing	
Remarks						Model	Tape Light Slim
Scale						Product Name	Polycarbonate Rigid Channel
1 : 1 (A4 size)		Drawn	Reviser	Approved		Product Number	FJS00-TS01
		Sakamoto	Yamaguchi	Kimori			
		Jan 15 , 2020	Aip 1 , 2020	Aip 1 , 2020			