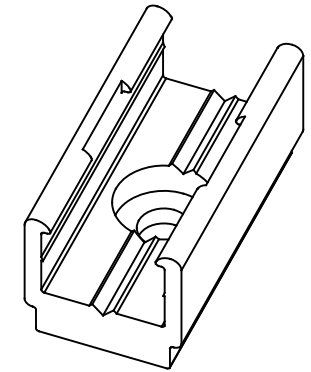
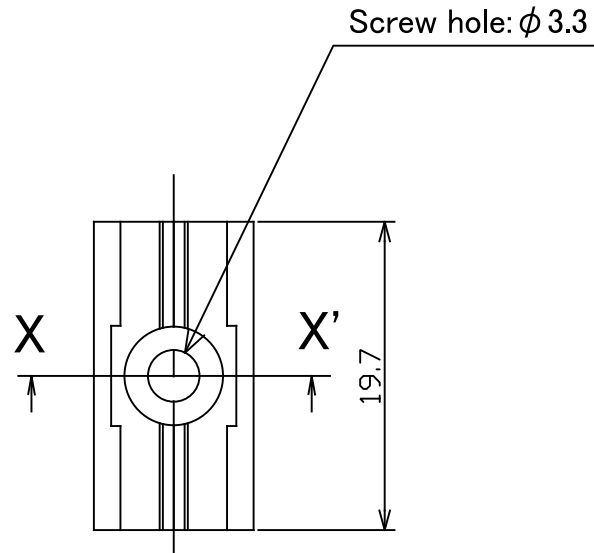
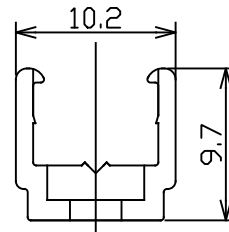


<b>General tolerance</b>	
6 or below	±0.5
6 to 15 or below	±0.6
15 to 30 or below	±0.8
30 to 50 or below	±0.9



3D image



X-X' Section

**Note**

Screws are not provided. please prepare by yourself

Unit : mm

1	Polycarbonate Mounting Bracket	5	Polycarbonate (clear)		
Parts List		Quantity	Material / Processing		
Remarks				Model	Tape Light Slim
Scale		Drawn	Reviser	Approved	Product Name
1 : 1 (A4 size)		Sakamoto	Sakamoto	Tanimizu	Polycarbonate Mounting Bracket
		Jan 15 , 2020	Mar. 3 , 2025	Mar. 3 , 2025	Product Number
				FJB20-TS01	