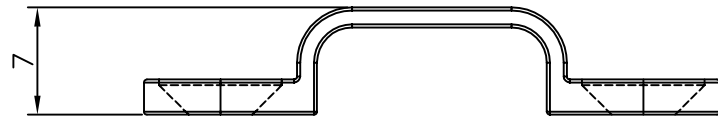
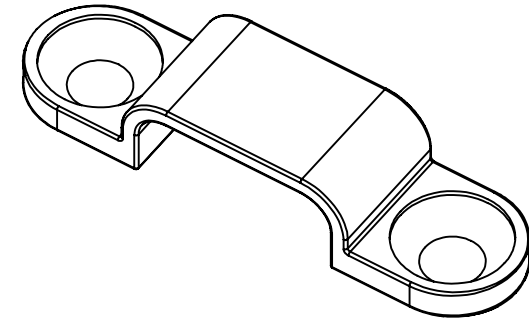


M4 Screw hole × 2



| | | | | | | |
|---------------------|--------|--------------|---------------|--------------|------------------------|-----------------|
| Polycarbonate | | | | 1 | | |
| Material/Dimensions | | | | Quantity | Treatment / Processing | |
| Remarks | | | | | Model | LED Tape Light |
| Scale | Design | Drawing | Drawing Check | Approval | Product Name | Fixing material |
| 1:2 | | Takaki | | Nishimura | Product Number | FJB00-21 |
| | | Oct 27, 2009 | | Oct 27, 2009 | | |