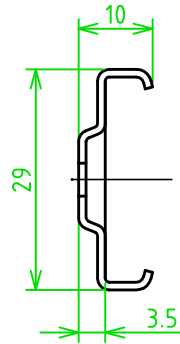
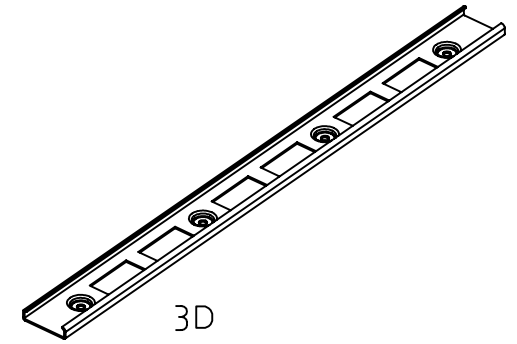


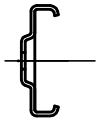
Dimensional tolerance:
 ±1 (Except for Longitudinal direction)
 ±5 (Longitudinal direction)



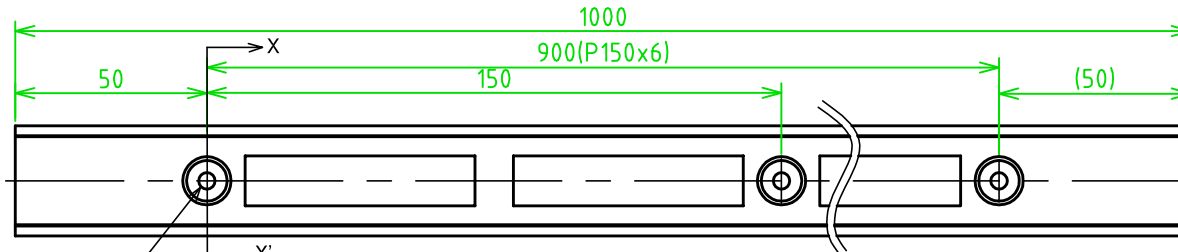
X-X'(1/1)



3D
 (W x H x L: 29 x 10 x 1000)



X-X'



Screw hole: 7-Φ4.3
 4.1 Round head screw

Installation for the light product

•Please mount FAS00-TW using screw in the screw hole to properly secure it.

For vertical light appliance installation

•Please attach FAS00-TW with L bracket near the end of the light product in order to prevent displacement.

Note

Screws are not included with the Channel

Stainless Steel						
Material/Dimensions					Quantity	Treatment / Processing
Remarks						Model
						Tape Light Wide
Scale						Product Name
1:2						SUS Rigid Channel
A4						Product Number
Design		Drawing	Drawing Check	Approval	FAS00-TW	
Jun6, 2016		Jun6, 2016		Kimori		
				Jun6, 2016		