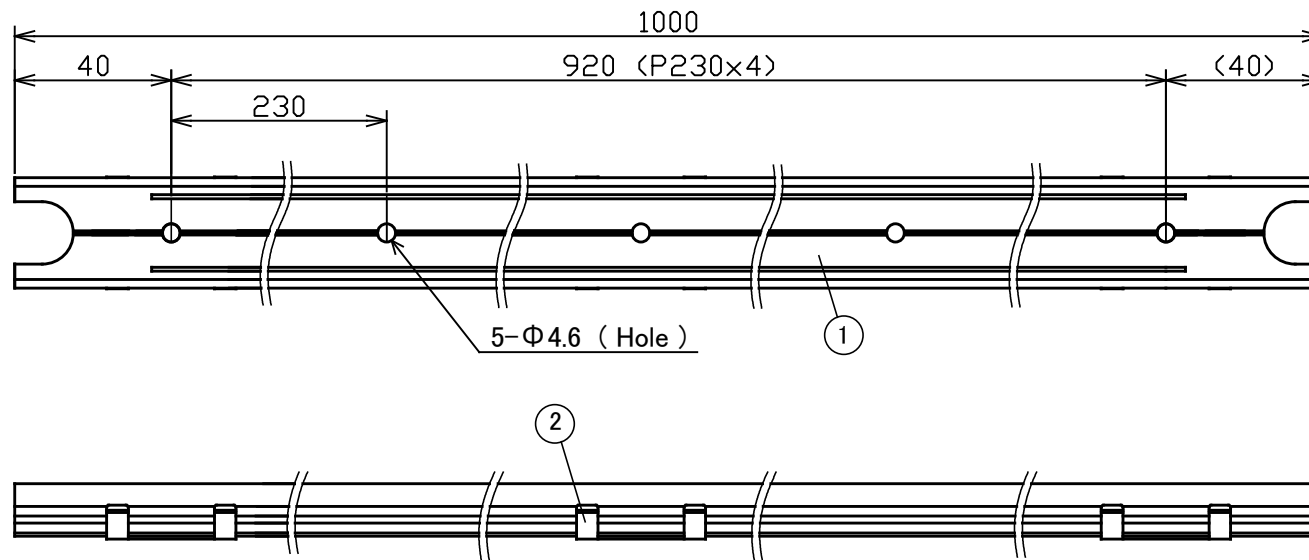
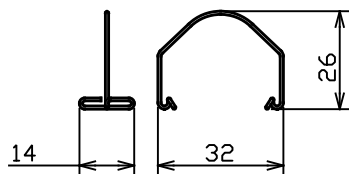


Large Scale (1/1)



3



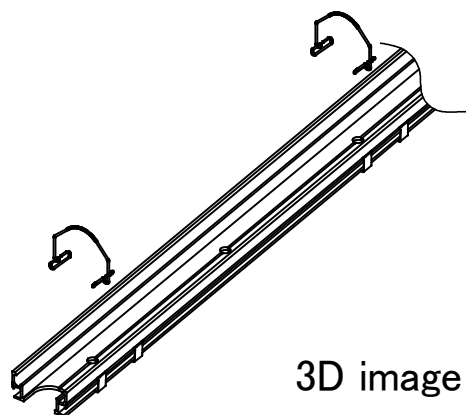
Caution :

1. Do not use these parts for other purpose.
2. Securely mount the channel on the wall using screws (commercial item) and screw holes.
3. Use the appropriate screws (commercial item) according to the wall.
4. Do not put the screws on the product directly.
5. Do not perform the excessive bending or twisting the product.
6. In case of installing the product vertically, use the L-shape metal corner brace beneath the product, to prevent sliding down of the product.

Note

Screws are not included. Please prepare by yourself.

Third-angle projection method (Unit : mm)



3D image

Parts List		Quantity	Material / Processing
3	Spring	3	Stainless steel wire
2	Spring Stopper	3	Stainless steel plate
1	Aluminum Rigid Channel	1	Aluminum (Alumite treatment)
Remarks			
Scale		1 : 1 (A4 size)	
Drawn		Kawasaki	
Reviser			
Approved		Kimori	
Model		Tsubaki Seamless Light Type V Addressable	
Product Name		Aluminum Rigid Channel	
Product Number		FAS00-01TDA	