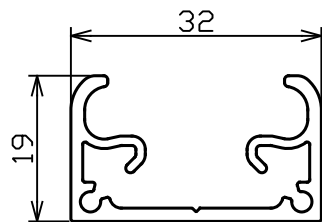
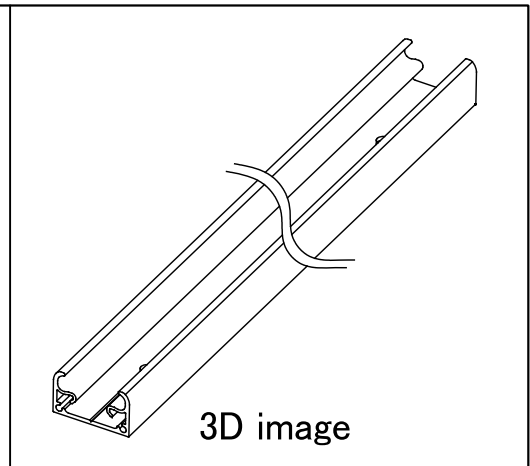
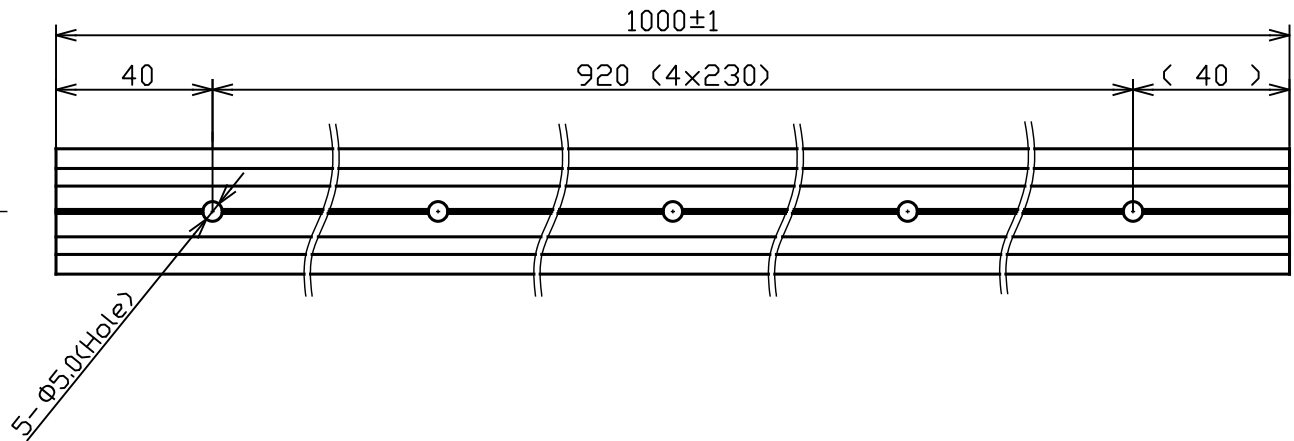
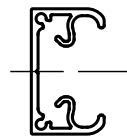


General tolerance
Section Direction
6 or below ± 0.5
6 to 15 or below ± 0.6
15 to 30 or below ± 0.7
30 to 50 or below ± 0.8
Longitudinal
120 or below ± 1.2
120 to 400 or below ± 1.5
400 to 1000 or below ± 3.0



Large Scale (1/1)



Installation precautions:

1. This is a straight channel exclusively for Tape Light Addressable (TL20ADR)/Tape Light Wide (TL08). Do not use with other fixtures.
2. Be sure to secure the fixture with screws.
3. The minimum bending radius of the fixture must be R60mm or more in the direction perpendicular to the light axis.
4. When mounting vertically to a wall, follow the instructions in the instruction manual and use an appropriate L-shaped bracket at the bottom to prevent the fixture from slipping off. Be careful not to pinch the lead wires.
5. Screws are not included. Please prepare commercially available screws according to the installation target.

Recommended screw examples)

When fixing to wood: Wood screws (nominal diameter 4.1, Round Head)

Unit (mm)

1	Straight Channel			1	Aluminum	
	Parts Name			Quantity	Material / Processing	
Specifications				Model Name	Tape light addressable	
RoHS compliant Weight: 400g				Product Name	Straight Aluminum Channel	
Scale		Drawn	Reviser	Approved	Product No.	FAS00-01TA4
1 : 2 (A4 Size)		Shiokawa	Sakamoto	Tanimizu		
		2025.2.5	2025.3.3	2025.3.3		