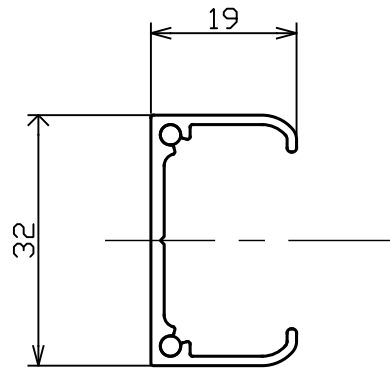
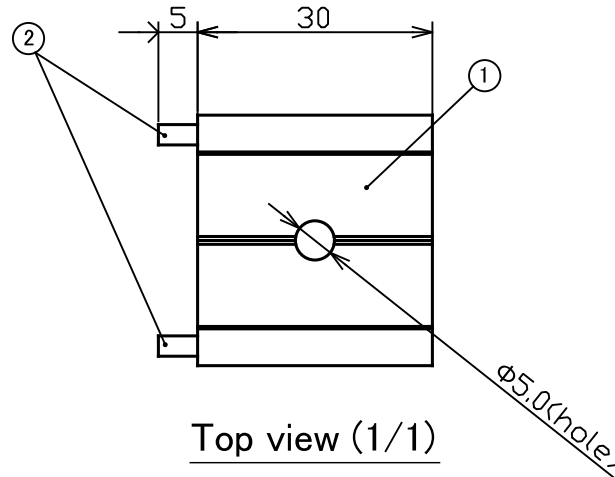


**General tolerance**

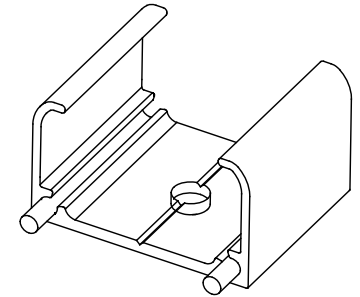
- 6 or below  $\pm 0.3$
- 6 to 15 or below  $\pm 0.4$
- 15 to 30 or below  $\pm 0.6$
- 30 to 50 or below  $\pm 0.8$



Side view (1/1)



Top view (1/1)



3D image

**Precautions during construction:**

1. Used when covering the ends (end caps) after installing tape light addressable (TL20ADR)/tape light wide (TL08) in a straight aluminum channel (FAS00-01TA4).
2. Please ensure that the fixing is done securely with screws.
3. When mounting vertically on the wall, please use the appropriate L-bracket at the bottom according to the instructions in the manual to prevent the light fixture from slipping off.  
Be careful not to pinch the lead wire with the L-shaped bracket.
4. Screws are not included, please prepare commercially available screws according to the installation target.

**Recommend examples of screws.**

When fixing to a tree: Wood screws (nominal diameter 4.1, round head)

Unit(mm)

Quantity	Parts Name	Quantity	Material / Processing
2	Roll Pin	2	Stainless steel (SUS420J2)
1	Aluminum Cover for End Caps	1	Aluminum (anodized treatment)
Specifications			
RoHS compliant Weight: 9g/pcs 2pcs per pack			Model Name
			Tape light addressable
			Product Name
			Aluminum Cover for End Caps
			Product Name
			FAE30-PIN
Scale		Drawn	Reviser
1 : 2 (A4 Size)		Shiokawa	Tanimizu
		2025.2.12	2025.2.12