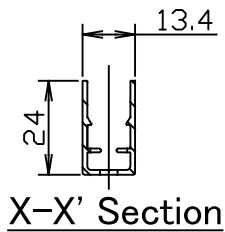
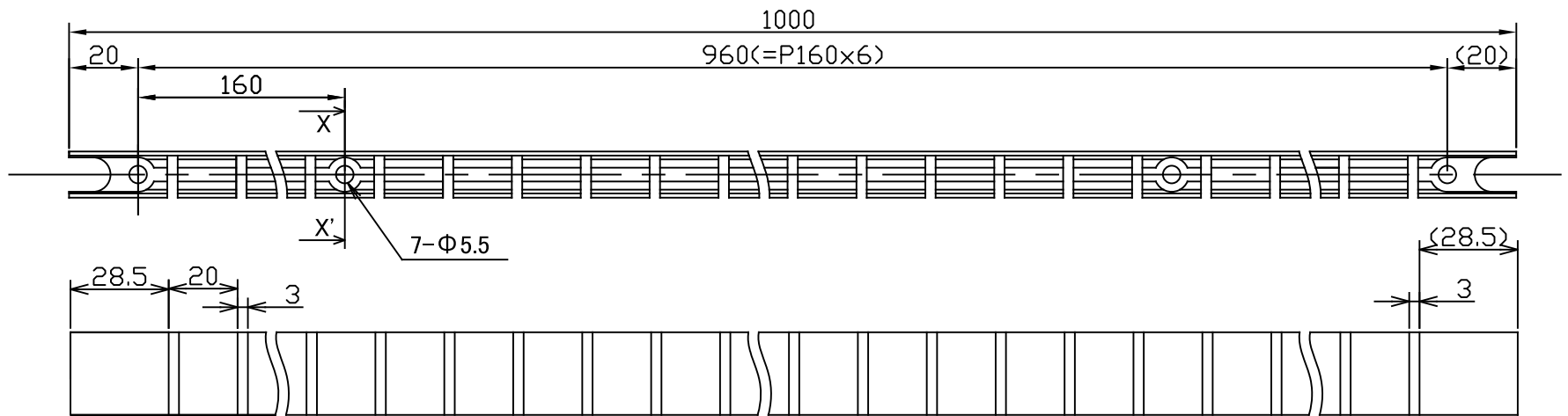
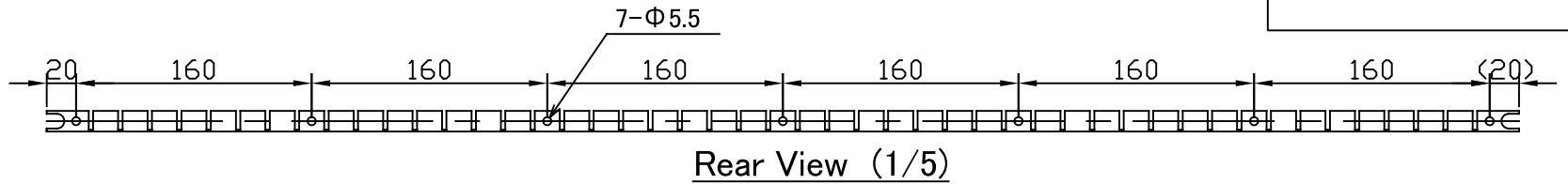
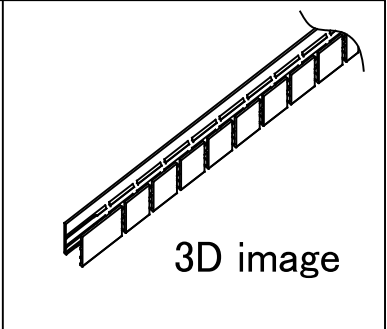


General tolerance
Cross-sectional direction
6 or below $\pm 0.5$
6 to 15 or below $\pm 0.6$
15 to 30 or below $\pm 0.7$
30 to 50 or below $\pm 0.9$
Longitudinal direction
120 or below $\pm 1.2$
120 to 400 or below $\pm 1.5$
400 to 1000 or below $\pm 3.0$



(Unit : mm)

Note:  
Screws are not provided. Please prepare by yourself.

1	Aluminum channel for curvy line	1	Aluminum (Alumite treated)
Parts List		Quantity	Material / Processing
Remarks	Weight: 180g		Model TSUBAKI SEAMLESS LIGHT TYPE H (FULL COLOR)
Scale	Drawn	Revlser	Approved
1 : 2 (A4 size)	Hashimoto	Sakamoto	Tanimizu
	2020.9.29	Mar. 3, 2025	Mar. 3, 2025
			Product Name ALUMINUM CHANNEL FOR CURVY LINE
			Product Number FAC20-01GD