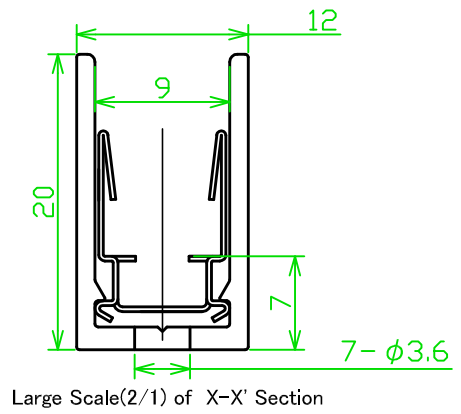
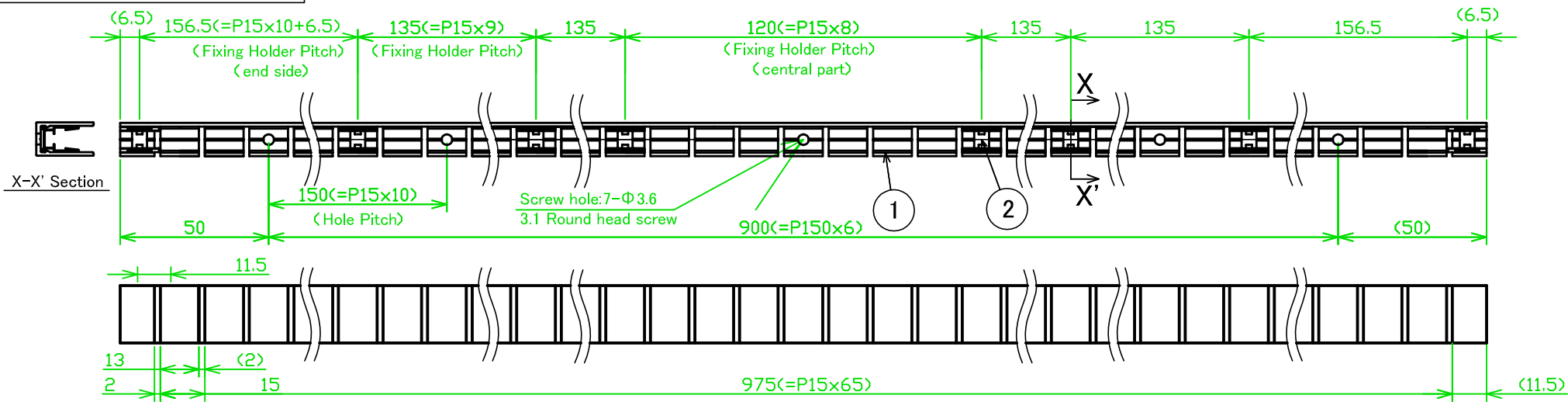


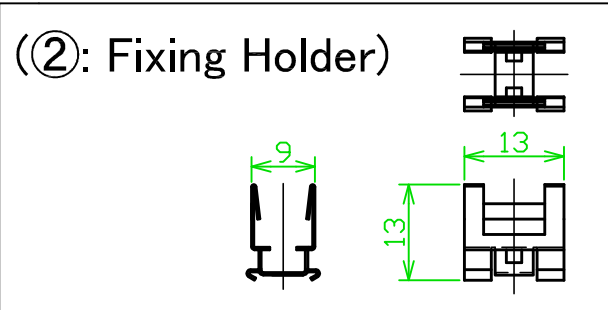
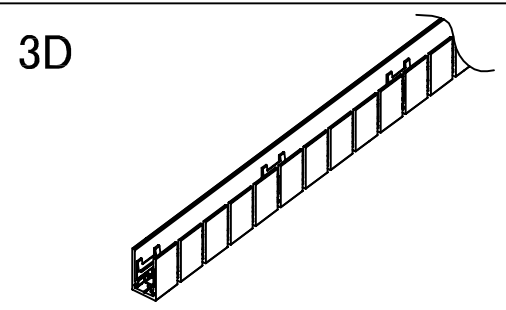
Dimensional tolerance
±2 (Longitudinal direction)
±1 (Except for Longitudinal direction)



**Precaution for Installation**

- AL Flexible Channel is for the installation of Atex Long Silicone Light Mini / Tsubaki Seamless Light Mini Type H ("the product"). Do not use it for other than intended purposes.
- In case of installing the product onto a wall or a ceiling, please use the channel and Fixing Holder ( FAGS-HA ) to prevent from the product falling as Instruction Manual.
- To secure the channel properly, mount the channel onto a wall and tighten a screw into the screw hole.
- Minimum horizontal bending radius of the product is R60 mm.
- In case of installing the product vertically onto a wall or a pole, it will slide down. Set a L-Shape bracket beneath the product as Instruction Manual of the product. Do not pinch the lead wires between L-Shape Bracket and a wall to prevent fire and failure.

**Note**  
Screws are not included with the channel.



2	Fixing Holder	8	Stainless Steel
1	AL Flexible Channel	1	Aluminum (Alumite treatment)
Parts List		Quantity	Material / Processing
Remarks			
Scale			Model
1 : 2 (A4 size)			Tsubaki Seamless Light Mini Type H Long Silicone Light Mini
Design			Product Name
Sakamoto	Etou	Yamaguchi	Kimori
Jun 28 , 2018			May 11 , 2020
Drawing Check			Approval
May 11 , 2020			May 11 , 2020
Product Number			FAC15-01GS