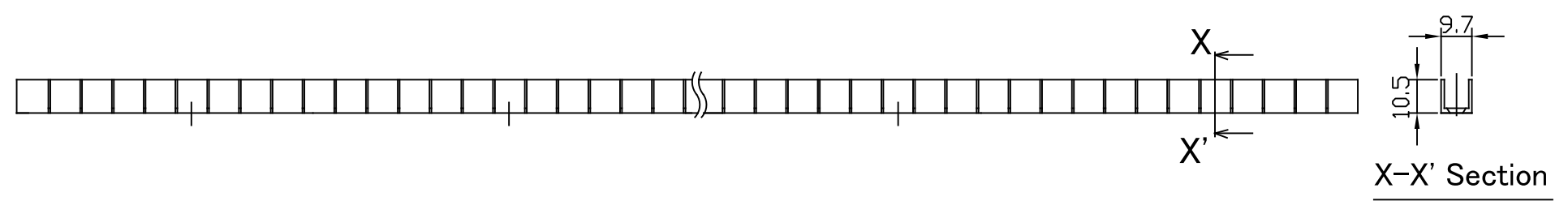
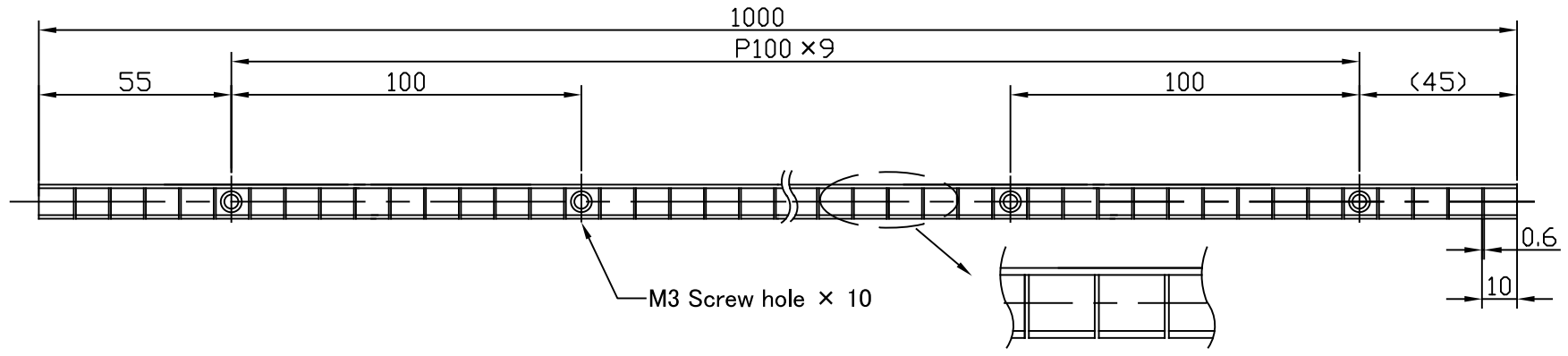
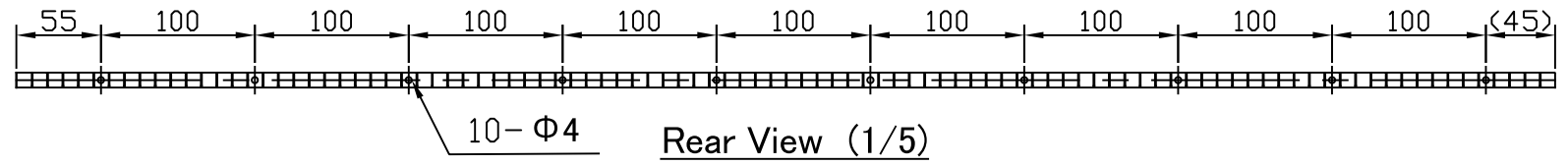


| |
|--------------------------------|
| General tolerance |
| Cross-sectional direction |
| 6 or below ± 0.5 |
| 6 to 15 or below ± 0.6 |
| 15 to 30 or below ± 0.7 |
| 30 to 50 or below ± 0.9 |
| Longitudinal direction |
| 120 or below ± 1.2 |
| 120 to 400 or below ± 1.5 |
| 400 to 1000 or below ± 3.0 |



(Unit : mm)

| | | | | | | |
|---------------------|--------|--------------|---------------|------------------------|----------------|----------------------------------|
| AL | | | | | | |
| Material/Dimensions | | | Quantity | Treatment / Processing | | |
| Remarks | | | | | Model | Super Silicone Light |
| Scale | Design | Drawing | Drawing Check | Approval | Product Name | Aluminum flexible channel C-type |
| 1:2 | | Okamoto | Sakamoto | Tanimizu | Product Number | FAC10-01S |
| | | Dec 15, 2011 | Mar. 3, 2025 | Mar. 3, 2025 | | |